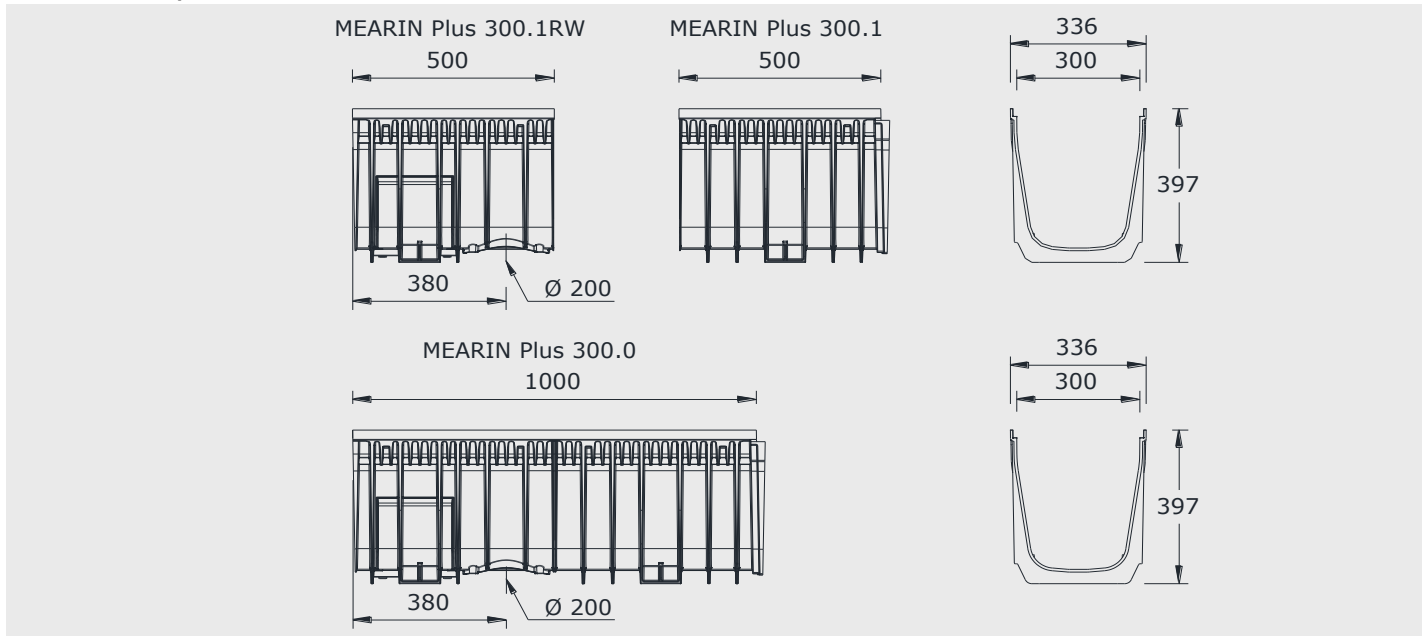


MEARIN Plus 300 and MEARIN Expert 300

Drainage channel with channel groove according EN 1433

MEARIN Plus/Expert 300



Material properties

Channel unit and construction unit

o SMC (Sheet moulded compound):	glassfibre reinforced polyester, with natural minerals
o Tensile strength:	65 N/mm ² (ISO527)
o Flexural tensile strength:	120 N/mm ² (ISO14125)
o Modulus of elasticity:	10.000 N/mm ² (ISO14125)
o Linear expansion coefficient:	1,5 - 2,0 x 10 ⁻⁵ /K
o Heat resistance:	100°C permanent exposure, short-term exposure to 200°C
o Frost resistance:	-35°C
o Water absorption	<0,1% (ISO R178)
o Material structure	capillary free

Edge protection

MEARIN Plus

- o glassfibre reinforced polyester

MEARIN Expert

- o galvanized steel

Channel covers

- o galvanized steel
- o ductile iron GGG (Sphäro)
- o stainless steel

Remark

* From loading class D400 not suitable for cross drainage of high speed roads and motorways

MEARIN Plus 300 and MEARIN Expert 300

Drainage channel with channel groove according EN 1433

Complete drainage system made of glassfibre reinforced polyester (GRP), with channel cover including STARFIX channel cover securement. Clear width 300mm, total width 336/332mm. Channel units without fall. Loading classes A15 - D400* to EN 1433. Loading classes as indicated when built-in according to MEA installation instructions.

Complete drainage system MEARIN Plus 300 with ductile iron gratings class C250 with STARFIX

material group	product description	length [mm]	total height [mm]	EDP-No. 010...	EAN-Code 4001990...	kg/unit	units/pallet
MP	MEARIN Plus 300.0 ¹⁾²⁾ channel + ductile iron grating WAVE 17/29	1000	397	140412	272299	42,80	8

Complete drainage system MEARIN Plus 300 with galvanized steel mesh grating 20/30 C250 with STARFIX

material group	product description	length [mm]	total height [mm]	EDP-No. 010...	EAN-Code 4001990...	kg/unit	units/pallet
MP	MEARIN Plus 300.0 ¹⁾²⁾ channel + mesh grating 20/30	1000	397	140456	272497	44,60	8

Complete drainage system MEARIN Plus 300 with ductile iron gratings class D400* with STARFIX

material group	product description	length [mm]	total height [mm]	EDP-No. 010...	EAN-Code 4001990...	kg/unit	units/pallet
MP	MEARIN Plus 300.0 ¹⁾²⁾ channel + ductile iron grating WAVE 17/29	1000	397	140470	283134	49,80	8

Complete drainage system MEARIN Expert 300 with ductile iron gratings class D400* with STARFIX

material group	product description	length [mm]	total height [mm]	EDP-No. 010...	EAN-Code 4001990...	kg/unit	units/pallet
MP	MEARIN Plus 300.0 ¹⁾²⁾ channel + ductile iron grating WAVE 17/29	1000	397	140418	272343	51,72	8

- 1) With connection facility for vertical outlet Ø 200mm, end caps with lateral connector Ø 200mm or lateral channel connection for T- and cross connections.
- 2) With connection facility for siltbox/gully Ø 160mm and Ø 200mm or end caps with horizontal connector Ø 200mm.

Remark

- * From loading class D400 not suitable for cross drainage of high speed roads and motorways
- The surface coating of ductile iron parts only has a cosmetic function. Because of surface oxidation, ductile iron is even irresistible against environment influences (e.g. salt solutions for de-icing). Therefore, surface oxidation of ductile iron parts is not admitted as a complaint by MEA. Of course, the resignation of surface coating is in accordance with all corresponding standards.

MEARIN Plus 300 channel unit

With GRP edge and channel groove according EN 1433

Channel made of glassfibre reinforced polyester (GRP). Suitable for all channel covers **MEARIN Plus/Expert 300**.

Clear width 300mm, total width 336mm. Channel units without fall. Loading classes A15 - D400* to EN 1433.

Loading classes as indicated when built-in according to MEA installation instructions.

Channel unit MEARIN Plus 300, class A15 to D400*

material group	product description	length [mm]	total height [mm]	EDP-No. 010...	EAN-Code 4001990...	kg/unit	units/pallet
MP	MEARIN Plus 300.0 ^{1) 2)} channel	1000	397	140400	272183	11,80	14
MP	MEARIN Plus 300.1 ²⁾ channel	500	397	140402	272244	5,90	28
MP	MEARIN Plus 300.1RW ^{1) 2) 3)} channel	500	397	140404	272251	5,90	28

MEARIN Expert 300 channel unit

With galvanized steel edge and channel groove according EN 1433

Channel made of glassfibre reinforced polyester (GRP). Suitable for all channel covers **MEARIN Plus/Expert 300**.

Clear width 300mm, total width 332mm. Channel units without fall. Loading classes A15 - E600* to EN 1433.

Loading classes as indicated when built-in according to MEA installation instructions.

Channel unit MEARIN Expert 300, class A15 to E600*

material group	product description	length [mm]	total height [mm]	EDP-No. 010...	EAN-Code 4001990...	kg/unit	units/pallet
MP	MEARIN Expert 300.0 ^{1) 2)} channel	1000	397	140406	272268	13,72	12
MP	MEARIN Expert 300.1 ²⁾ channel	500	397	140408	272275	6,86	28
MP	MEARIN Expert 300.1RW ^{1) 2) 3)} channel	500	397	140410	272285	6,86	28

1) With connection facility for vertical outlet Ø 200mm, end caps with lateral connector Ø 200mm or lateral channel connection for T- and cross connections.

2) With connection facility for siltbox/gully Ø 160mm and Ø 200mm or end caps with horizontal connector Ø 200mm.

3) Can be used as change flow directions and channel line extension for 0.5m.

Remark

* From loading class D400 not suitable for cross drainage of high speed roads and motorways

Technical Datasheet Drainage Systems

MEARIN Plus and Expert drainage system

CW 300

A15 B125 C250 D400*

MEARIN Plus 300 accessories

MEARIN Plus plug-in edge from highly resistant GRP. Optionally to implement linear fall 0,5% or without fall.

Loading classes for channels with plug-in edges A15 to D400* according to EN 1433.

Extension of total height of channels from 32mm to 82mm. This also increases the drainage performance of the channels.

Loading classes as indicated, when built-in according to MEA installation instructions.

Plug-in edge for MEARIN Plus 300, without fall

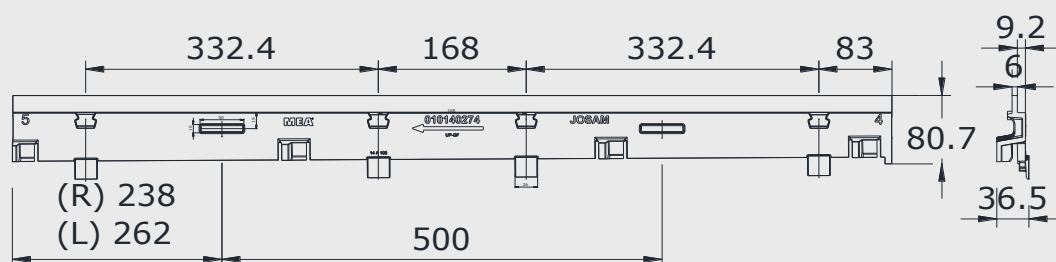
material group	product description	length [mm]	channel height [mm]	EDP-No. 010...	EAN-Code 4001990...	kg/unit	units/pallet
MP	MEARIN Plus plug-in edge 5.0 right/left	1000	454	140306	271995	1,17	1

Slope plug-in edges for MEARIN Plus 300, with fall 0,5%

material group	product description	length [mm]	channel height [mm]	EDP-No. 010...	EAN-Code 4001990...	kg/unit	units/pallet
MP	Plug-in edge MEARIN Plus s. 1-R	1000	434	140266	271797	0,91	1
MP	Plug-in edge MEARIN Plus s. 2-R	1000	439	140268	271803	1,01	1
MP	Plug-in edge MEARIN Plus s. 3-R	1000	444	140270	271810	1,06	1
MP	Plug-in edge MEARIN Plus s. 4-R	1000	449	140272	271827	1,12	1
MP	Plug-in edge MEARIN Plus s. 5-R	1000	454	140274	271834	1,17	1
MP	Plug-in edge MEARIN Plus s. 6-R	1000	459	140276	271841	1,22	1
MP	Plug-in edge MEARIN Plus s. 7-R	1000	464	140278	271858	1,27	1
MP	Plug-in edge MEARIN Plus s. 8-R	1000	469	140280	271865	1,33	1
MP	Plug-in edge MEARIN Plus s. 9-R	1000	474	140282	271872	1,38	1
MP	Plug-in edge MEARIN Plus s. 10-R	1000	479	140284	271889	1,44	1
MP	Plug-in edge MEARIN Plus s. 1-L	1000	434	140286	271896	0,91	1
MP	Plug-in edge MEARIN Plus s. 2-L	1000	439	140288	271902	1,01	1
MP	Plug-in edge MEARIN Plus s. 3-L	1000	444	140290	271919	1,06	1
MP	Plug-in edge MEARIN Plus s. 4-L	1000	449	140292	271926	1,12	1
MP	Plug-in edge MEARIN Plus s. 5-L	1000	454	140294	271933	1,17	1
MP	Plug-in edge MEARIN Plus s. 6-L	1000	459	140296	271940	1,22	1
MP	Plug-in edge MEARIN Plus s. 7-L	1000	464	140298	271957	1,27	1
MP	Plug-in edge MEARIN Plus s. 8-L	1000	469	140300	271964	1,33	1
MP	Plug-in edge MEARIN Plus s. 9-L	1000	474	140302	271971	1,38	1
MP	Plug-in edge MEARIN Plus s. 10-L	1000	479	140304	271988	1,44	1

When using plug-in edge for silt boxes and 0.5 m channels, please contact our application engineering department.

MEARIN Plus 300 Slope plug-in edge



Remark

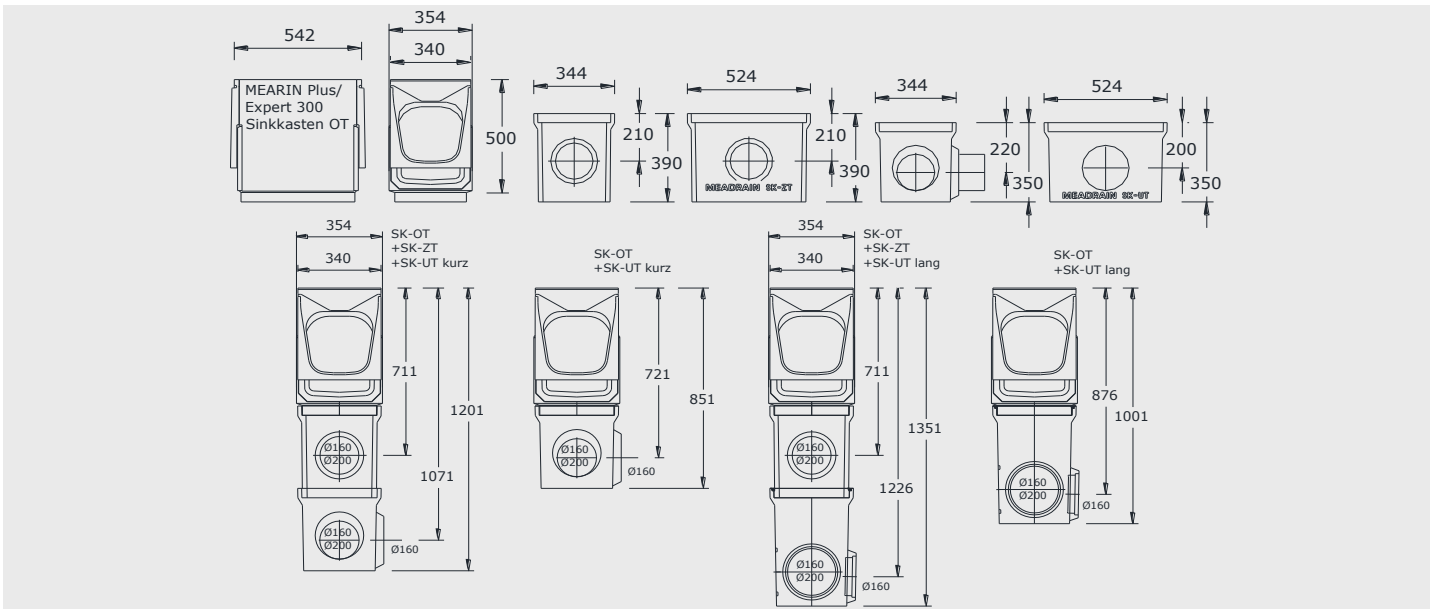
* From loading class D400 not suitable for cross drainage of high speed roads and motorways

MEARIN Plus 300 and MEARIN Expert 300 accessories

Gully upper-, middle- and lower section made from polymer concrete, with preformed channel adapter MEARIN 300. Clear width 300mm.

Suitable for all channel covers **MEARIN Plus and Expert 300**. Loading class as indicated when built-in according to MEA installation instructions.

Gullies made of polymer concrete for MEARIN Plus and Expert 300



Gully upper section for MEARIN Plus and Expert 300

material group	product description	length [mm]	total height [mm]	EDP-No. 010...	EAN-Code 4001990...	kg/unit	units/pallet
MP	MEARIN Plus 300 SK-OT gully upper section class D400* made of polymer concrete with GRP edge	500	633	140442	272473	43,80	8
MP	MEARIN Expert 300 SK-OT gully upper section class E600* made of polymer concrete with galvanized steel edge	500	633	140443	280904	43,80	8

Gullies for MEARIN Plus and Expert 300

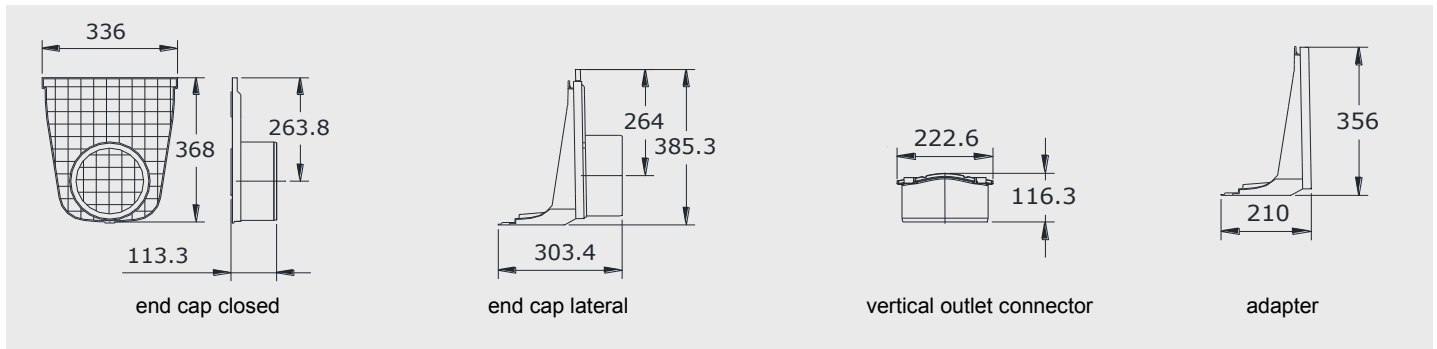
material group	product description	length [mm]	total height [mm]	EDP-No. 010...	EAN-Code 4001990...	kg/unit	units/pallet
MD	SK-ZT gully middle section made of polymer concrete to increase total height	524	375	154709	022801	22,00	12
MD	SK-UT gully lower section made of polymer concrete with preformed knockouts for connectors Ø 160mm and Ø 200mm.	524	335	154711	022818	24,00	1
MD	SK-UT-long, gully lower section made of polymer concrete with preformed knockouts for connectors Ø 160mm and Ø 200mm.	524	485	154719	036280	33,60	1
MD	Galv. sediment bucket short for gullies SK-OT with SK-UT	-	-	154713	022825	4,50	60
MD	Galv. sediment bucket long, for gullies SK-OT with SK-ZT and SK-UT	-	-	154715	022832	6,00	1

Remark

* From loading class D400 not suitable for cross drainage of high speed roads and motorways

MEARIN Plus 300 and MEARIN Expert 300 accessories

MEARIN Plus and Expert 300 accessories



Connection accessories and end caps for MEARIN Plus and Expert 300

material group	product description	material	EDP-No. 010...	EAN-Code 4001990...	kg/unit	units/pallet
MP	MEARIN Plus/Expert 300 end cap closed for channel start and end with preformed knockout for Ø 200mm outlet connector	PP	140424	272381	0,69	1
MP	MEARIN Plus/Expert 300 end cap with outlet connector Ø 200mm, for lateral channel connection	PP	140426	272398	0,94	1
MP	MEARIN Plus/Expert 300 adapter for lateral channel connection for corner, T- and cross connections	PP	140428	272404	0,29	1
MP	MEARIN Plus/Expert 300 vertical outlet connector Ø 200mm	PP	140430	272411	0,38	1
MP	MEARIN Plus/Expert 300 roadable foul air trap entails sediment dirt strainer and sediment bucket	galv. steel	140436	272442	2,50	1
MP	MEARIN Plus/Expert 300 end caps for channel start and end, 4 piece-set	PP	140425	281598	4,20	1
MP	MEARIN Plus/Expert 300 outlet set entails vertical outlet connector Ø 200mm + 2 end caps closed + end cap with lateral outlet connector Ø 200mm + roadable foul air trap	PP	140438	272459	5,10	1

MEARIN Plus/Expert sealing material¹⁾

material group	product description	material	EDP-No. 010...	EAN-Code 4001990...	kg/unit	units/pallet
MP	MEARIN Plus/Expert sealing material in channel colour RAL 7044 - 310 ml	Silant. Polymer	140260	205426	0,60	1

1) Only for channels which drain rain water.

Not appropriate for e.g. fuel stations or other areas where channels are exposed to chemicals.

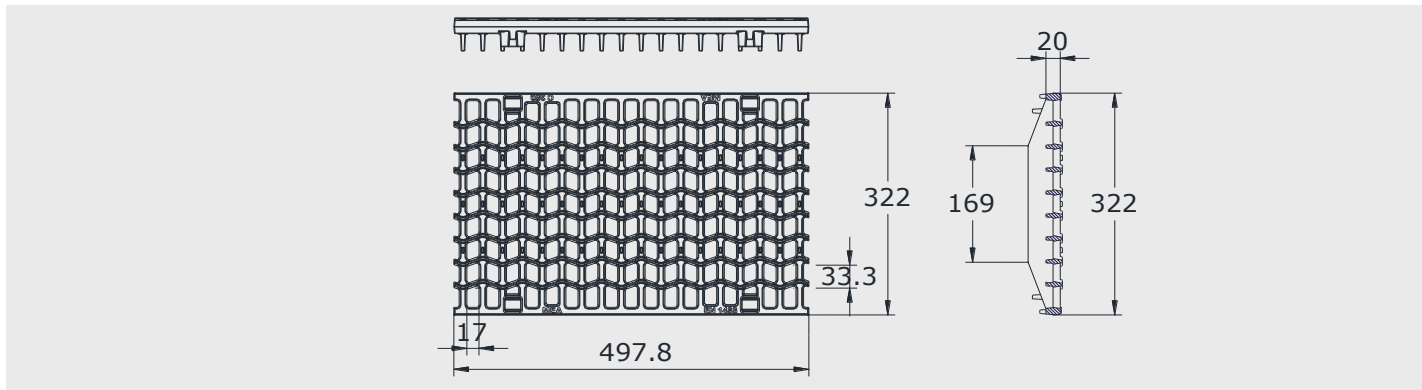
End cap for MEARIN Plus 300 channels with plug-in edges

material group	product description	material	EDP-No. 010...	EAN-Code 4001990...	kg/unit	units/pallet
MP	Plus 300 end cap closed for channel start and end, suitable for all channel heights	plastic	140712	276846	2,35	1

MEARIN Plus 300 and MEARIN Expert 300 STARFIX channel covers

With non-bolted STARFIX channel cover securement. Suitable for channel systems **MEARIN PLUS 300** and **MEARIN EXPERT 300**. For channel units and silt boxes. Total width of gratings 322mm.

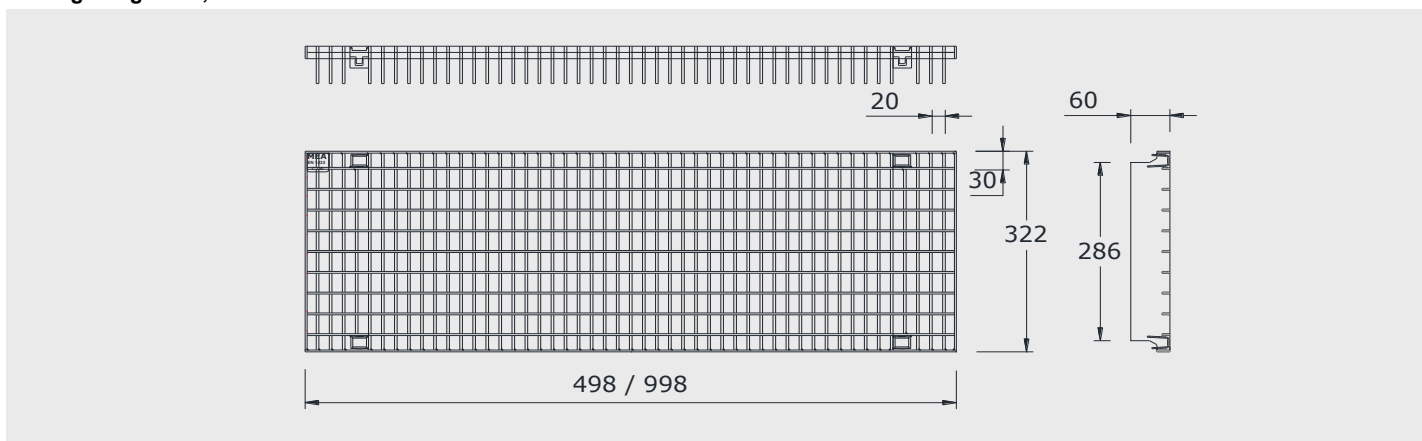
Mesh grating WAVE 17/29, class C250 with STARFIX



Class C250 to EN 1433, ductile iron with STARFIX channel cover securement

material group	product description	material	length [mm]	EDP-No. 010...	EAN-Code 4001990...	Inlet sect. area Ø cm ² /m	kg/unit	units/pallet
MP	MEARIN Plus/Expert 300 ductile iron grating WAVE 17/29	ductile iron	500	140448	272190	1780	16,80	30

Mesh grating 20/30, class C250 with STARFIX



Class C250 to EN 1433, galvanized steel with STARFIX channel cover securement

material group	product description	material	length [mm]	EDP-No. 010...	EAN-Code 4001990...	Inlet sect. area Ø cm ² /m	kg/unit	units/pallet
MP	MEARIN Plus/Expert 300 Mesh grating 20/30	galv. steel	1000	140444	272305	2265	33,20	40
MP	MEARIN Plus/Expert 300 Mesh grating 20/30	galv. steel	500	140446	272312	2220	16,70	80

Remark

The surface coating of ductile iron parts only has a cosmetic function. Because of surface oxidation, ductile iron is even irresistible against environment influences (e.g. salt solutions for de-icing). Therefore, surface oxidation of ductile iron parts is not admitted as a complaint by MEA. Of course, the resignation of surface coating is in accordance with all corresponding standards.

Technical Datasheet Drainage Systems

MEARIN Plus and Expert drainage system

CW 300

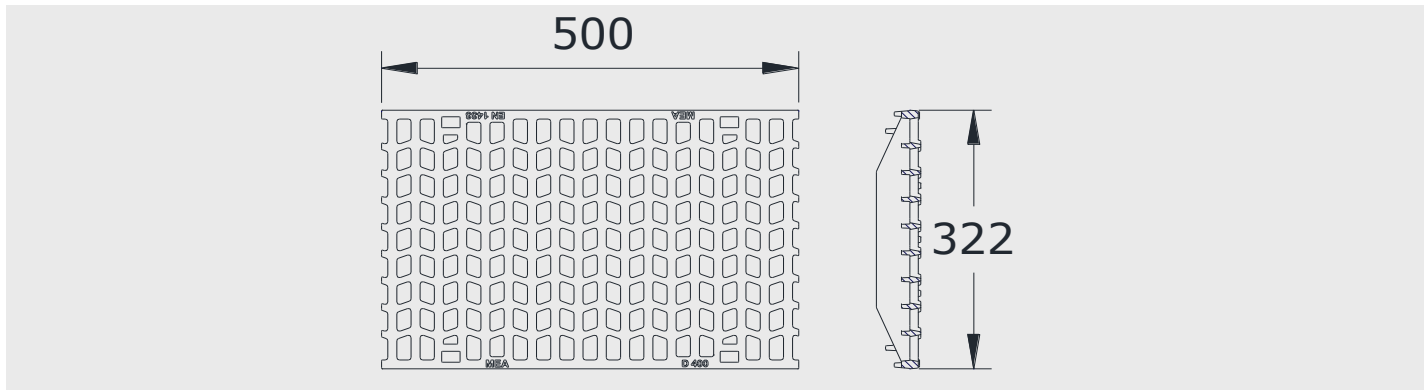
D400 E600

MEARIN Plus 300 and MEARIN Expert 300 STARFIX channel covers

With non-bolted STARFIX channel cover securement. Suitable for channel systems **MEARIN PLUS 300** and **MEARIN EXPERT 300**.

For channel units and silt boxes. Total width of gratings 322mm.

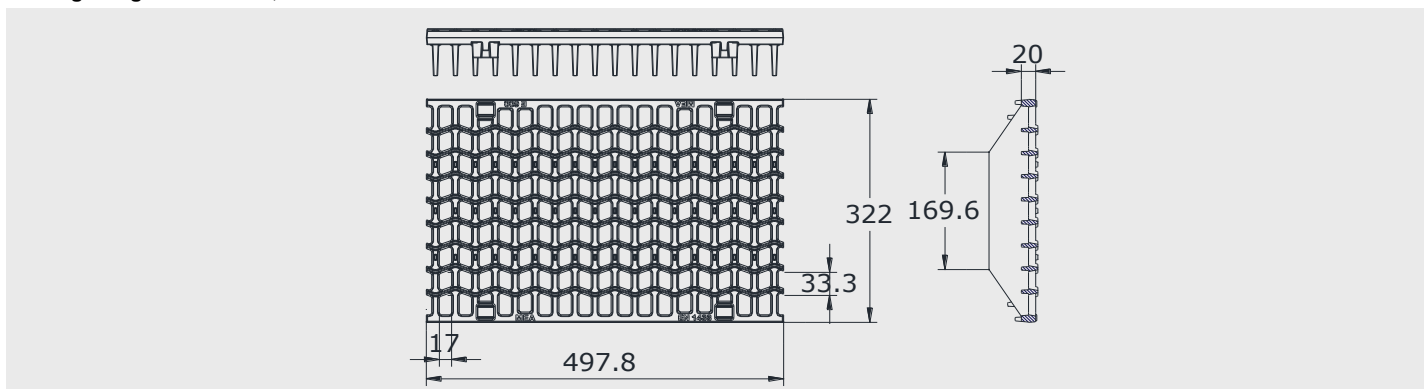
Mesh grating WAVE 17/29, class D400 with STARFIX



Class D400 to EN 1433, ductile iron with STARFIX channel cover securement

material group	product description	material	length [mm]	EDP-No. 010...	EAN-Code 4001990...	Inlet sect. area \varnothing cm ² /m	kg/unit	units/pallet
MP	MEARIN Plus/Expert 300 ductile iron grating WAVE 17/29	ductile iron	500	140450	272206	1780	19,00	30

Mesh grating WAVE 17/29, class E600 with STARFIX



Class E600 to EN 1433, ductile iron with STARFIX channel cover securement - only for MEARIN Expert 300

material group	product description	material	length [mm]	EDP-No. 010...	EAN-Code 4001990...	Inlet sect. area \varnothing cm ² /m	kg/unit	units/pallet
MP	MEARIN Expert 300 ductile iron grating WAVE 17/29	ductile iron	500	140452	272213	1780	23,10	30

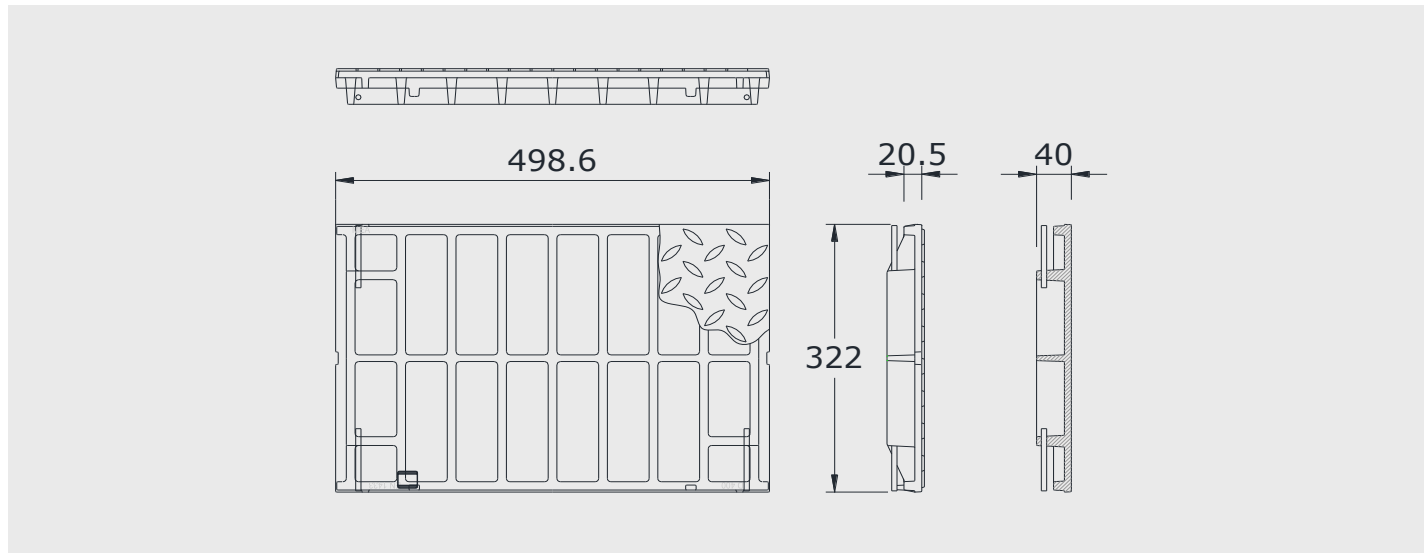
Remark

The surface coating of ductile iron parts only has a cosmetic function. Because of surface oxidation, ductile iron is even irresistible against environment influences (e.g. salt solutions for de-icing). Therefore, surface oxidation of ductile iron parts is not admitted as a complaint by MEA. Of course, the resignation of surface coating is in accordance with all corresponding standards.

MEARIN Plus 300 and MEARIN Expert 300 STARFIX channel covers

With non-bolted STARFIX channel cover securement. Suitable for channel systems **MEARIN PLUS 300** and **MEARIN EXPERT 300**. For channel units and silt boxes. Total width of gratings 322mm.

Solid cover, class E600 with STARFIX



Class E600 to EN 1433, ductile iron with STARFIX channel cover securement

material group	product description	material	length [mm]	EDP-No. 010...	EAN-Code 4001990...	Inlet sect. area Ø cm ² /m	kg/unit	units/pallet
MP	MEARIN Expert 300 solid cover	ductile iron	500	140454	272480	-	19,80	30

Remark

The surface coating of ductile iron parts only has a cosmetic function. Because of surface oxidation, ductile iron is even irresistible against environment influences (e.g. salt solutions for de-icing). Therefore, surface oxidation of ductile iron parts is not admitted as a complaint by MEA. Of course, the resignation of surface coating is in accordance with all corresponding standards.

MEA Water Management GmbH
Sudetenstraße 1
86551 Aichach
Tel.: +49 (0) 82 51. 91 0
Fax: +49 (0) 82 51. 91 13 00
E-Mail: info.drainage@mea.de
www.mea-group.com