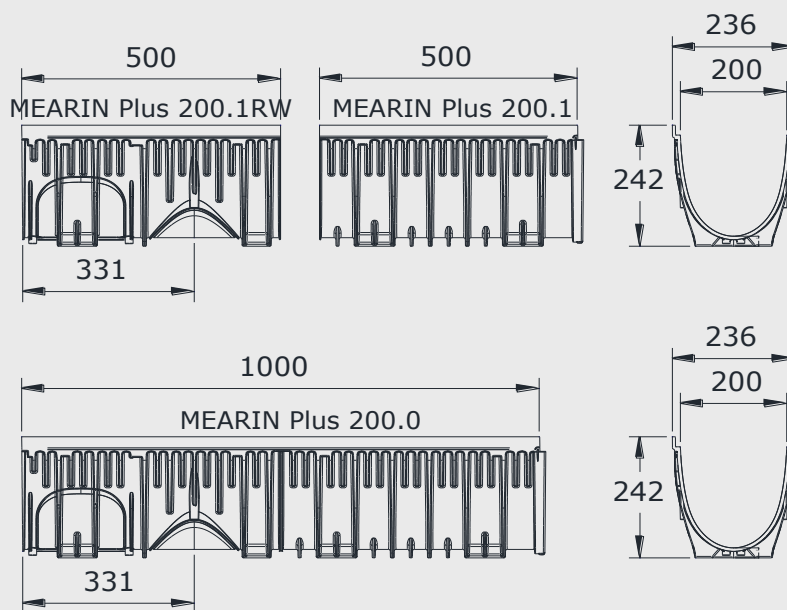


### MEARIN Plus 200 and MEARIN Expert 200

### Drainage channel with channel groove according EN 1433

#### MEARIN Plus 200



## Material properties

### Channel unit and construction unit

o SMC (Sheet moulded compound):	glassfibre reinforced polyester, with natural minerals
o Tensile strength:	65 N/mm <sup>2</sup> (ISO527)
o Flexural tensile strength:	120 N/mm <sup>2</sup> (ISO14125)
o Modulus of elasticity:	10.000 N/mm <sup>2</sup> (ISO14125)
o Linear expansion coefficient:	1,5 - 2,0 x 10 <sup>-5</sup> 1/K
o Heat resistance:	100°C permanent exposure, short-term exposure to 200°C
o Frost resistance:	-35°C
o Water absorption	<0,1% (ISO R178)
o Material structure	capillary free

### Edge protection

#### MEARIN Plus

- o glassfibre reinforced polyester

#### MEARIN Expert

- o galvanized steel

### Channel covers

- o galvanized steel
- o ductile iron GGG ( Sphäro)
- o stainless steel

#### Remark

\* From loading class D400 not suitable for cross drainage of high speed roads and motorways

### MEARIN Plus 200 and MEARIN Expert 200

#### Drainage channel with channel groove according EN 1433

Complete drainage system made of glassfibre reinforced polyester (GRP), with channel cover including STARFIX channel cover securement. Clear width 200mm, total width 236/232mm. Channel units without fall. Loading classes A15 - E600\* to EN 1433. Loading classes as indicated when built-in according to MEA installation instructions.

#### Complete drainage system MEARIN Plus 200 with galvanized steel mesh grating class B125 - STARFIX

material group	product description	length [mm]	total height [mm]	EDP-No. 010...	EAN-Code 4001990...	kg/unit	units/pallet
MP	MEARIN Plus 200.0 <sup>1) 2)</sup> channel + mesh grating galv. steel 30/10	1000	242	140042	203200	12,67	20

#### Complete drainage channel MEARIN Plus 200 with ductile iron slotted gratings class C250 - STARFIX

material group	product description	length [mm]	total height [mm]	EDP-No. 010...	EAN-Code 4001990...	kg/unit	units/pallet
MP	MEARIN Plus 200.0 <sup>1) 2)</sup> channel + ductile iron slotted gratings	1000	242	140050	203248	20,70	20

#### Complete drainage channel MEARIN Plus 200 with ductile iron slotted gratings class D400\* - STARFIX

material group	product description	length [mm]	total height [mm]	EDP-No. 010...	EAN-Code 4001990...	kg/unit	units/pallet
MP	MEARIN Plus 200.0 <sup>1) 2)</sup> channel + ductile iron slotted gratings	1000	242	140482	281864	23,60	20

#### Complete drainage channel MEARIN Expert 200 with ductile iron slotted gratings class D400\* - STARFIX

material group	product description	length [mm]	total height [mm]	EDP-No. 010...	EAN-Code 4001990...	kg/unit	units/pallet
MP	MEARIN Expert 200.0 <sup>1) 2)</sup> channel + ductile iron slotted gratings	1000	242	140082	203408	25,20	20

#### Complete drainage channel MEARIN Expert 200 with ductile iron slotted gratings class E600\* - STARFIX

material group	product description	length [mm]	total height [mm]	EDP-No. 010...	EAN-Code 4001990...	kg/unit	units/pallet
MP	MEARIN Expert 200.0 <sup>1) 2)</sup> channel + ductile iron slotted gratings	1000	242	140089	273715	28,46	20

- 1) With connection facility for vertical outlet Ø 160mm, end caps with lateral connector Ø 160mm or lateral channel connection for T- and cross connections.
- 2) With connection facility for siltbox/gully Ø 160mm or end caps with horizontal connector Ø 160mm.

#### Remark

\* From loading class D400 not suitable for cross drainage of high speed roads and motorways

The surface coating of ductile iron parts only has a cosmetic function. Because of surface oxidation, ductile iron is even irresistible against environment influences (e.g. salt solutions for de-icing). Therefore, surface oxidation of ductile iron parts is not admitted as a complaint by MEA. Of course, the resignation of surface coating is in accordance with all corresponding standards.

### MEARIN Plus 200 channel unit

#### With GRP edge and channel groove according EN 1433

Channel made of glassfibre reinforced polyester (GRP). Suitable for all channel covers **MEARIN Plus/Expert 200**.

Clear width 200mm, total width 236mm. Channel units without fall. Loading classes A15 - D400\* to EN 1433.

Loading classes as indicated when built-in according to MEA installation instructions.

Channel unit MEARIN Plus 200, class A15 to D400\*

material group	product description	length [mm]	total height [mm]	EDP-No. 010...	EAN-Code 4001990...	kg/unit	units/pallet
MP	MEARIN Plus 200.0 <sup>1)2)</sup> channel <sup>4)</sup>	1000	242	140034	203163	6,70	27
MP	MEARIN Plus 200.1 <sup>2)</sup> channel <sup>4)</sup>	500	242	140036	203170	3,35	1
MP	MEARIN Plus 200.1RW <sup>1)2)3)</sup> channel <sup>4)</sup>	500	242	140038	203187	3,35	1

### MEARIN Expert 200 channel unit

#### With galvanized steel edge and channel groove according EN 1433

Channel made of glassfibre reinforced polyester (GRP). Suitable for all channel covers **MEARIN Plus/Expert 200**.

Clear width 200mm, total width 232mm. Channel units without fall. Loading classes A15 - E600\* to EN 1433.

Loading classes as indicated when built-in according to MEA installation instructions.

Channel unit MEARIN Expert 200, class A15 to E600\*

material group	product description	length [mm]	total height [mm]	EDP-No. 010...	EAN-Code 4001990...	kg/unit	units/pallet
MP	MEARIN Expert 200.0 <sup>1)2)</sup> channel <sup>4)</sup>	1000	242	140074	203361	8,30	27
MP	MEARIN Expert 200.1 <sup>2)</sup> channel <sup>4)</sup>	500	242	140076	203378	4,30	1
MP	MEARIN Expert 200.1RW <sup>1)2)3)</sup> channel <sup>4)</sup>	500	242	140078	203385	4,30	1

- 1) With connection facility for vertical outlet Ø 160mm, end caps with lateral connector Ø 160mm or lateral channel connection for T- and cross connections.
- 2) With connection facility for siltbox/gully Ø 160mm or end caps with horizontal connector Ø 160mm.
- 3) Can be used as change flow directions and channel line extension for 0.5m.
- 4) Roadable foul air trap with dirt trap only available for systems MEARIN Plus/Expert 100 and 300.

#### Remark

\* From loading class D400 not suitable for cross drainage of high speed roads and motorways

## Technical Datasheet Drainage Systems

# MEARIN Plus and Expert drainage system

# CW 200

A15 B125 C250 D400\*

### MEARIN Plus 200 accessories

MEARIN Plus plug-in edge from highly resistant GRP. Optionally to implement linear fall 0,5% or without fall.

Loading classes for channels with plug-in edges A15 to D400\* according to EN 1433.

Extension of total height of channels from 32mm to 82mm. This also increases the drainage performance of the channels.

Loading classes as indicated, when built-in according to MEA installation instructions.

#### Plug-in edge for MEARIN Plus 200, without fall

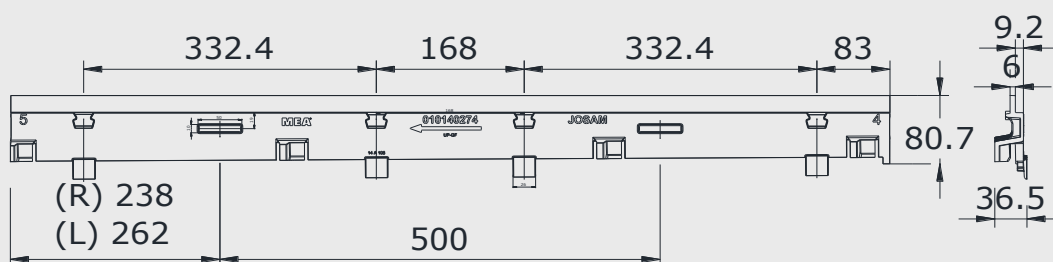
material group	product description	length [mm]	channel height [mm]	EDP-No. 010...	EAN-Code 4001990...	kg/unit	units/pallet
MP	MEARIN Plus plug-in edge 5.0 right/left	1000	299	140306	271995	1,17	1

#### Slope plug-in edges for MEARIN Plus 200, with fall 0,5%

material group	product description	length [mm]	channel height [mm]	EDP-No. 010...	EAN-Code 4001990...	kg/unit	units/pallet
MP	Plug-in edge MEARIN Plus s. 1-R	1000	279	140266	271797	0,91	1
MP	Plug-in edge MEARIN Plus s. 2-R	1000	284	140268	271803	1,01	1
MP	Plug-in edge MEARIN Plus s. 3-R	1000	289	140270	271810	1,06	1
MP	Plug-in edge MEARIN Plus s. 4-R	1000	294	140272	271827	1,12	1
MP	Plug-in edge MEARIN Plus s. 5-R	1000	299	140274	271834	1,17	1
MP	Plug-in edge MEARIN Plus s. 6-R	1000	304	140276	271841	1,22	1
MP	Plug-in edge MEARIN Plus s. 7-R	1000	309	140278	271858	1,27	1
MP	Plug-in edge MEARIN Plus s. 8-R	1000	314	140280	271865	1,33	1
MP	Plug-in edge MEARIN Plus s. 9-R	1000	319	140282	271872	1,38	1
MP	Plug-in edge MEARIN Plus s. 10-R	1000	324	140284	271889	1,44	1
MP	Plug-in edge MEARIN Plus s. 1-L	1000	279	140286	271896	0,91	1
MP	Plug-in edge MEARIN Plus s. 2-L	1000	284	140288	271902	1,01	1
MP	Plug-in edge MEARIN Plus s. 3-L	1000	289	140290	271919	1,06	1
MP	Plug-in edge MEARIN Plus s. 4-L	1000	294	140292	271926	1,12	1
MP	Plug-in edge MEARIN Plus s. 5-L	1000	299	140294	271933	1,17	1
MP	Plug-in edge MEARIN Plus s. 6-L	1000	304	140296	271940	1,22	1
MP	Plug-in edge MEARIN Plus s. 7-L	1000	309	140298	271957	1,27	1
MP	Plug-in edge MEARIN Plus s. 8-L	1000	314	140300	271964	1,33	1
MP	Plug-in edge MEARIN Plus s. 9-L	1000	319	140302	271971	1,38	1
MP	Plug-in edge MEARIN Plus s. 10-L	1000	324	140304	271988	1,44	1

When using plug-in edge for silt boxes and 0.5 m channels, please contact out application engineering department.

#### MEARIN Plus 200 slope plug-in edge

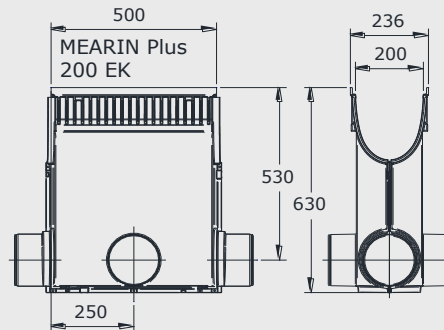


#### Remark

\* From loading class D400 not suitable for cross drainage of high speed roads and motorways

### MEARIN Plus 200 and MEARIN Expert 200 accessories

#### MEARIN Plus and Expert 200 silt box



#### Silt box for MEARIN Plus 200

material group	product description	length [mm]	total height [mm]	EDP-No. 010...	EAN-Code 4001990...	kg/unit	units/pallet
MP	MEARIN Plus 200.EK silt box	500	630	140040	203194	4,65	8

#### Silt box for MEARIN Plus 200 with mesh grating, class B125 with STARFIX

material group	product description	length [mm]	total height [mm]	EDP-No. 010...	EAN-Code 4001990...	kg/unit	units/pallet
MP	MEARIN Plus 200.EK silt box + mesh grating 30/10 B125	500	630	140048	203231	7,75	8

#### Silt box for MEARIN Plus 200 with ductile iron slotted grating, class C250 with STARFIX

material group	product description	length [mm]	total height [mm]	EDP-No. 010...	EAN-Code 4001990...	kg/unit	units/pallet
MP	MEARIN Plus 200.EK silt box + ductile iron slotted grating C250	500	630	140056	203279	11,65	8

#### Silt box for MEARIN Expert 200

material group	product description	length [mm]	total height [mm]	EDP-No. 010...	EAN-Code 4001990...	kg/unit	units/pallet
MP	MEARIN Expert 200.EK silt box	500	630	140080	203392	5,65	8

#### Silt box for MEARIN Expert 200 with ductile iron slotted grating, class D400\* with STARFIX

material group	product description	length [mm]	total height [mm]	EDP-No. 010...	EAN-Code 4001990...	kg/unit	units/pallet
MP	MEARIN Expert 200.EK silt box + ductile iron slotted grating D400*	500	630	140088	203439	14,10	8

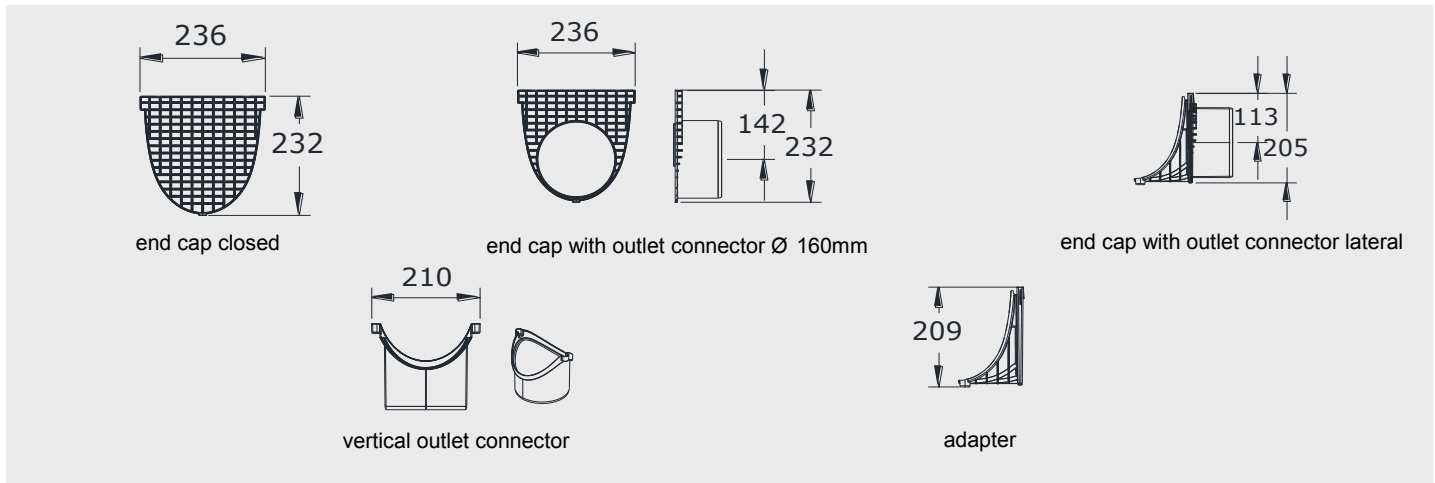
#### Remark

\* From loading class D400 not suitable for cross drainage of high speed roads and motorways

The surface coating of ductile iron parts only has a cosmetic function. Because of surface oxidation, ductile iron is even irresistible against environment influences (e.g. salt solutions for de-icing). Therefore, surface oxidation of ductile iron parts is not admitted as a complaint by MEA. Of course, the resignation of surface coating is in accordance with all corresponding standards.

### MEARIN Plus 200 and MEARIN Expert 200 accessories

#### MEARIN Plus and Expert 200 accessories



#### Connection accessories and end caps for MEARIN Plus/Expert 200

material group	product description	material	EDP-No. 010...	EAN-Code 4001990...	kg/unit	units/pallet
MP	MEARIN Plus/Expert 200 end cap closed for channel start and end	PP	140108	203538	0,18	1
MP	MEARIN Plus/Expert 200 end cap with outlet connector Ø 160mm, for channel end	PP	140110	203545	0,19	1
MP	MEARIN Plus/Expert 200 end cap with outlet connector Ø 160mm for lateral channel connector	PP	140112	203552	0,24	1
MP	MEARIN Plus/Expert 200 adapter for lateral channel connector, for corner, T- and cross connections	PP	140114	203569	0,09	1
MP	MEARIN Plus/Expert 200 vertical outlet connector Ø 160mm	PP	140116	203576	0,14	1
MP	MEARIN Plus/Expert 200 outlet set entails vertical outlet connector Ø160mm + 2 end caps closed + 1 end cap with lateral outlet connector Ø160mm	PP	140118	203583	0,32	1

#### MEARIN Plus/Expert sealing material<sup>1)</sup>

material group	product description	material	EDP-No. 010...	EAN-Code 4001990...	kg/unit	units/pallet
MP	MEARIN Plus/Expert sealing material in channel colour RAL 7044 - 310 ml	Silant. Polymer	140260	205426	0,60	1

1) Only for channels which drain rain water.

Not appropriate for e.g. fuel stations or other areas where channels are exposed to chemicals.

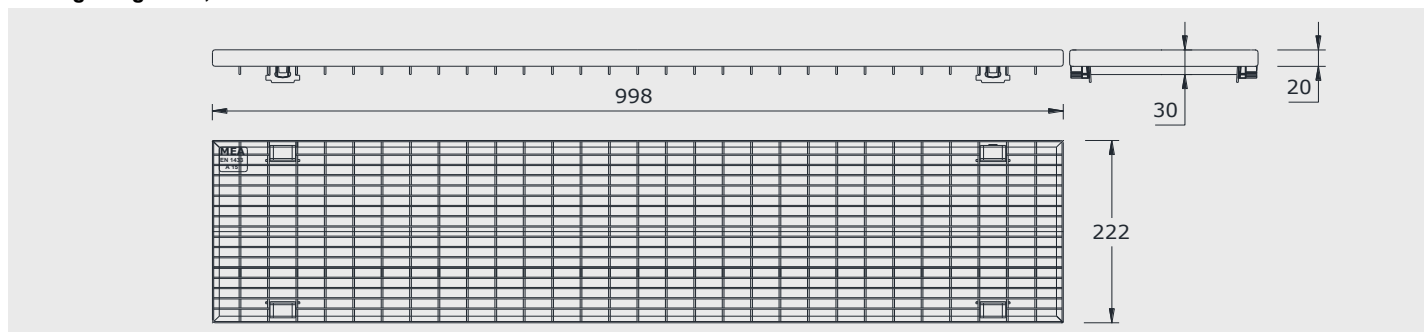
#### End cap for MEARIN Plus 200 channels with plug-in edges

material group	product description	material	EDP-No. 010...	EAN-Code 4001990...	kg/unit	units/pallet
MP	Plus 200 end cap closed for channel start and end, suitable for all channel heights	plastic	140708	276822	0,42	1

### MEARIN Plus 200 and MEARIN Expert 200 STARFIX channel covers

With non-bolted STARFIX channel cover securement. Suitable for channel systems **MEARIN PLUS 200** and **MEARIN EXPERT 200**.  
For channel units and silt boxes. Total width of gratings 222mm.

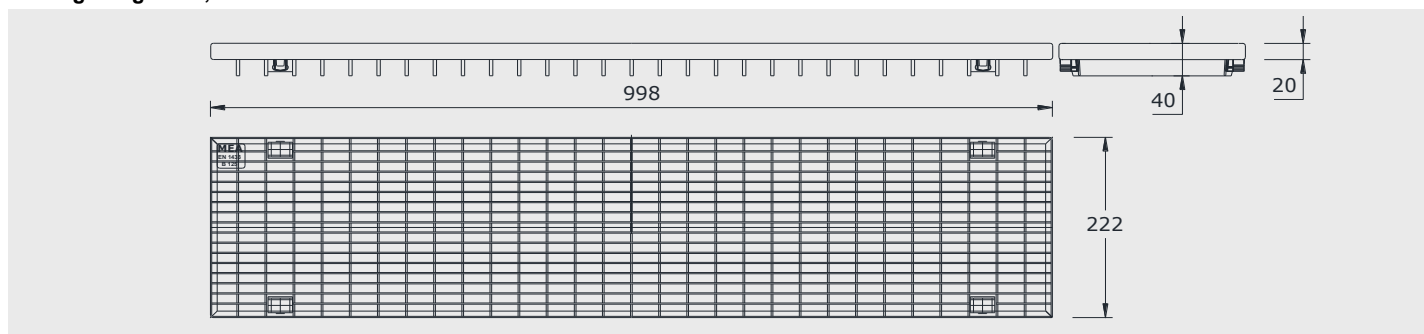
#### Mesh grating 30/10, class A15 with STARFIX



#### Class A15 to EN 1433, galvanized steel with STARFIX channel cover securement

material group	product description	material	length [mm]	EDP-No. 010...	EAN-Code 4001990...	Inlet sect. area Ø cm <sup>2</sup> /m	kg/unit	units/pallet
MP	MEARIN Plus/Expert 200 mesh grating 30/10 class A15	galv. steel	1000	140156	203774	1657	5,97	70
MP	MEARIN Plus/Expert 200 mesh grating 30/10 class A15	galv. steel	500	140158	203781	1606	3,10	90

#### Mesh grating 30/10, class B125 with STARFIX



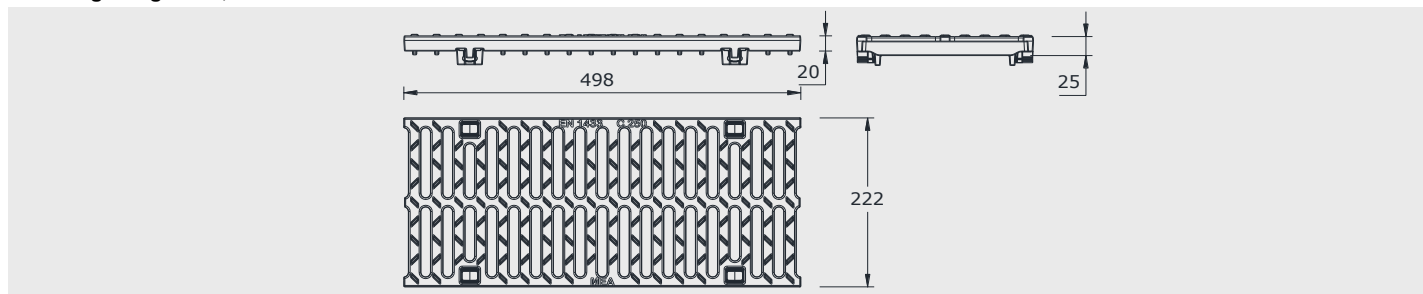
#### Class B125 to EN 1433, galvanized steel with STARFIX channel cover securement

material group	product description	material	length [mm]	EDP-No. 010...	EAN-Code 4001990...	Inlet sect. area Ø cm <sup>2</sup> /m	kg/unit	units/pallet
MP	MEARIN Plus/Expert 200 mesh grating 30/10 class B125	galv. steel	1000	140160	203798	1657	7,03	70
MP	MEARIN Plus/Expert 200 mesh grating 30/10 class B125	galv. steel	500	140162	203804	1606	3,60	90

### MEARIN Plus 200 and MEARIN Expert 200 STARFIX channel covers

With non-bolted STARFIX channel cover securement. Suitable for channel systems **MEARIN PLUS 200** and **MEARIN EXPERT 200**.  
For channel units and silt boxes. Total width of gratings 222mm.

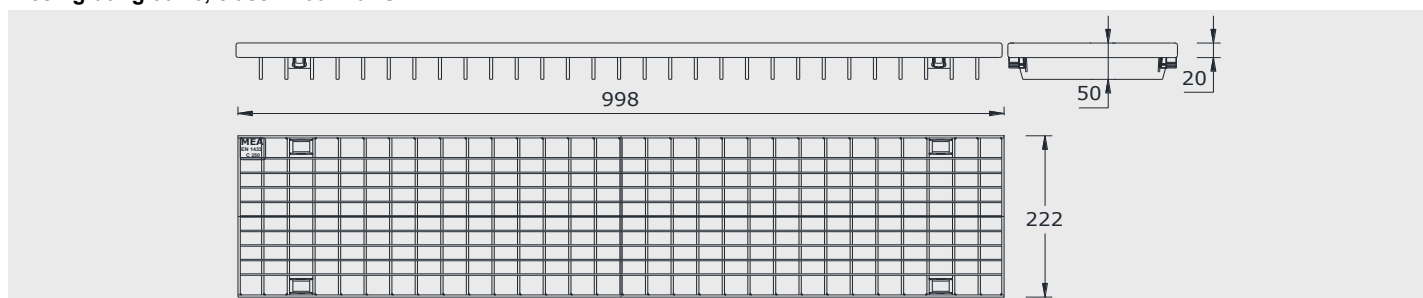
#### Slotted grating 12/92, class C250 with STARFIX



Class C250 to EN 1433, ductile iron with STARFIX channel cover securement

material group	product description	material	length [mm]	EDP- No. 010...	EAN- Code 4001990...	Inlet sect. area $\varnothing$ cm <sup>2</sup> /m	kg/unit	units/pallet
MP	MEARIN Plus/Expert 200 ductile iron slotted grating 12/92	ductile iron	500	140168	203835	752	7,00	54

#### Mesh grating 30/20, class C250 with STARFIX



Class C250 to EN 1433, galvanized steel with STARFIX channel cover securement

material group	product description	material	length [mm]	EDP- No. 010...	EAN- Code 4001990...	Inlet sect. area $\varnothing$ cm <sup>2</sup> /m	kg/unit	units/pallet
MP	MEARIN Plus/Expert 200 mesh grating 30/20	galv. steel	1000	140164	203811	1661	9,70	70
MP	MEARIN Plus/Expert 200 mesh grating 30/20	galv. steel	500	140166	203828	1614	4,85	90

Class C250 to EN 1433, stainless steel with STARFIX channel cover securement

material group	product description	material	length [mm]	EDP- No. 010...	EAN- Code 4001990...	Inlet sect. area $\varnothing$ cm <sup>2</sup> /m	kg/unit	units/pallet
MP	MEARIN Plus/Expert 200 mesh grating 30/20	stainl. steel	1000	140254	205280	1661	10,62	70
MP	MEARIN Plus/Expert 200 mesh grating 30/20	stainl. steel	500	140256	205297	1614	5,34	90

#### Remark

Delivery time of stainless steel covers upon request.

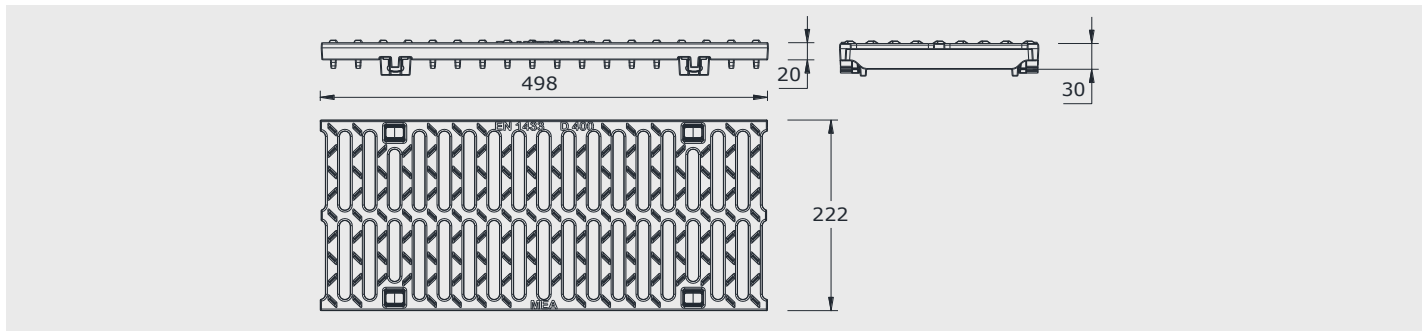
The surface coating of ductile iron parts only has a cosmetic function. Because of surface oxidation, ductile iron is even irresistible against environment influences (e.g. salt solutions for de-icing). Therefore, surface oxidation of ductile iron parts is not admitted as a complaint by MEA. Of course, the resignation of surface coating is in accordance with all corresponding standards.



### MEARIN Plus 200 and MEARIN Expert 200 STARFIX channel covers

With non-bolted STARFIX channel cover securement. Suitable for channel systems **MEARIN PLUS 200** and **MEARIN EXPERT 200**.  
For channel units and silt boxes. Total width of gratings 222mm.

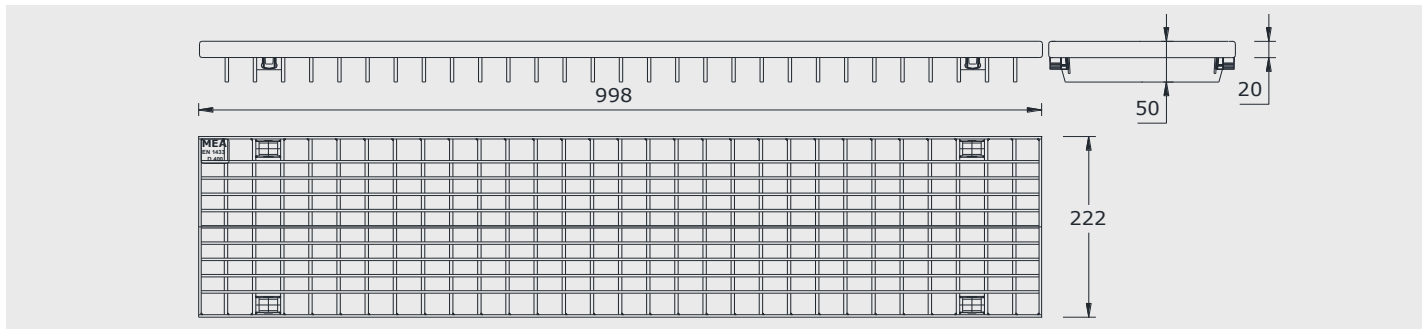
#### Slotted grating 12/92, class D400 with STARFIX



Class D400 to EN 1433, ductile iron with STARFIX channel cover securement

material group	product description	material	length [mm]	EDP- No. 010...	EAN- Code 4001990...	Inlet sect. area Ø cm <sup>2</sup> /m	kg/unit	units/pallet
MP	MEARIN Plus/Expert 200 ductile iron slotted grating 12/92	ductile iron	500	140178	203880	752	8,45	54

#### Mesh grating 30/20, class D400 with STARFIX



Class D400 to EN 1433, galvanized steel with STARFIX channel cover securement

material group	product description	material	length [mm]	EDP- No. 010...	EAN- Code 4001990...	Inlet sect. area Ø cm <sup>2</sup> /m	kg/unit	units/pallet
MP	MEARIN Plus/Expert 200 mesh grating 30/20	galv. steel	1000	140174	203866	1530	14,28	70
MP	MEARIN Plus/Expert 200 mesh grating 30/20	galv. steel	500	140176	203873	1485	7,12	90

#### Remark

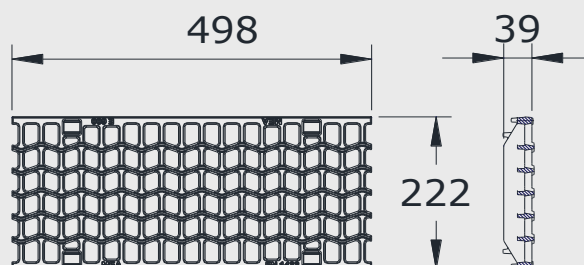
The surface coating of ductile iron parts only has a cosmetic function. Because of surface oxidation, ductile iron is even irresistible against environment influences (e.g. salt solutions for de-icing). Therefore, surface oxidation of ductile iron parts is not admitted as a complaint by MEA. Of course, the resignation of surface coating is in accordance with all corresponding standards.

### MEARIN Plus 200 and MEARIN Expert 200 STARFIX channel covers

With non-bolted STARFIX channel cover securement. Suitable for channel systems **MEARIN PLUS 200** and **MEARIN EXPERT 200**.

For channel units and silt boxes. Total width of gratings 222mm.

#### Mesh grating WAVE, class E600 with STARFIX



#### Class E600 to EN 1433, ductile iron with STARFIX channel cover securement

material group	product description	material	length [mm]	EDP-No. 010...	EAN-Code 4001990...	Inlet sect. area Ø cm <sup>2</sup> /m	kg/unit	units/pallet
MP	MEARIN Plus/Expert 200 ductile iron mesh grating WAVE	ductile iron	500	140182	203903	1190	10,08	54

#### Remark

The surface coating of ductile iron parts only has a cosmetic function. Because of surface oxidation, ductile iron is even irresistible against environment influences (e.g. salt solutions for de-icing). Therefore, surface oxidation of ductile iron parts is not admitted as a complaint by MEA. Of course, the resignation of surface coating is in accordance with all corresponding standards.

MEA Water Management GmbH  
 Sudetenstraße 1  
 86551 Aichach  
 Tel.: +49 (0) 82 51. 91 0  
 Fax: +49 (0) 82 51. 91 13 00  
 E-Mail: info.drainage@mea.de  
 www.mea-group.com