

MATERIAL CHARACTERISTICS

| | |
|--|--|
| FIBERGLASS COMPOSITE | glass-fibre-reinforced polyester, mineral fillers, additives |
| TENSILE STRENGTH | 65 N/mm ² (ISO 527) |
| BENDING STRENGTH | 120 N/mm ² (ISO 14125) |
| ELASTICITY MODULE | 10,000 N/mm ² (ISO 14125) |
| DENSITY | 2.0 g/cm ³ (ISO 1172) |
| COEFFICIENT OF LINEAR EXPANSION | 1.5 - 2.0 x 10 ⁻⁵ 1/K |
| HEAT RESISTANCE | 100°C continuous load, up to 240°C with a load duration up to 110 min. |
| FROST RESISTANCE | -35°C |
| WATER PENETRATION LEVEL | 0 mm |
| WATER ABSORPTION | <0.1% (ISO R178) |
| MATERIAL STRUCTURE | Capillary free |

PURPOSE OF USE

Component for the line drainage of surfaces in order to collect, transport and discharge rain water from adjacent fixed surfaces.

VERSIONS

/ Length 1000 mm

EDGE PROTECTION

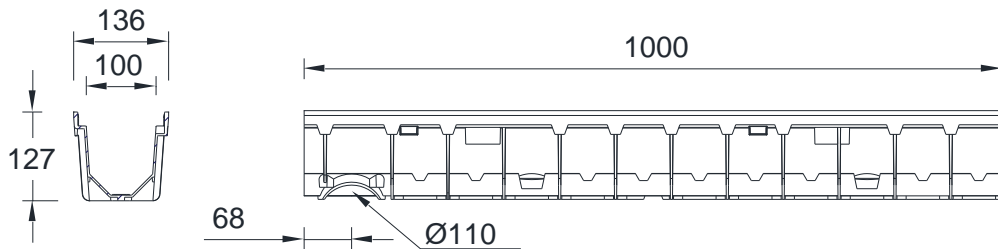
/ Glass-fibre-reinforced composite

ACCESSORIES

- / Inlet box
- / End cap with connection facility Ø 75 mm
- / End cap with connection facility Ø 80 mm
- / Vertical drain socket Ø 110 mm

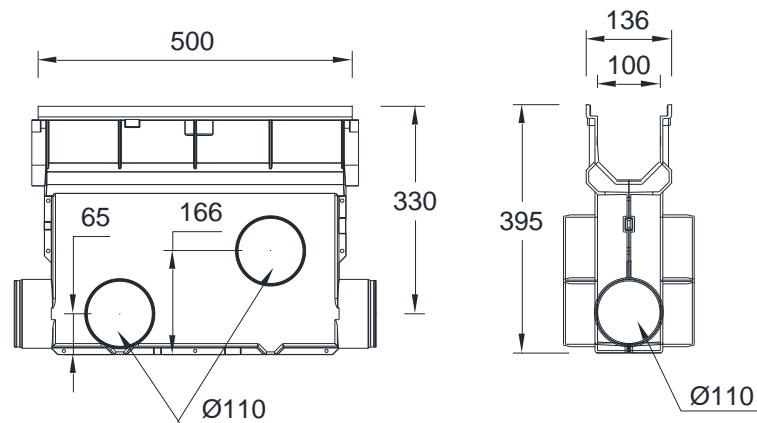
MEAFUID 100 DRAINAGE CHANNEL WITH A GLASS-FIBRE COMPOSITE EDGE

Drainage channel made of glass-fibre-reinforced composite. Clear width 100 mm, total width 136 mm. For the realization of water level slopes. Loading classes A 15 to C 250 according to EN 1433. Suitable for all channel covers with non-bolted CLIPFIX channel securement. Load capacity according to specification when installed according to the MEA installation instructions.



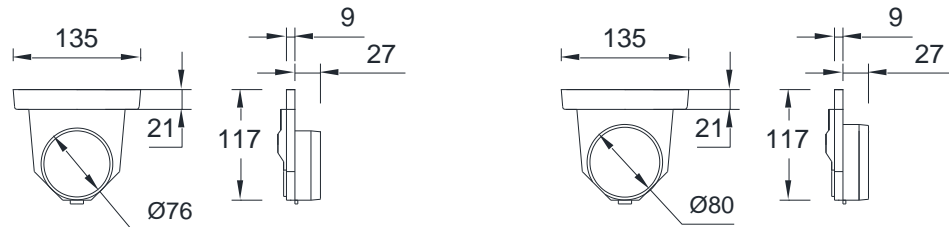
DRAINAGE CHANNEL BODY MEAFUID 100, LOADING CLASSES A 15 TO C 250

| Description | Order No. 010... | Length (mm) | Constructive height (mm) | kg per piece |
|-----------------------|------------------|-------------|--------------------------|--------------|
| MEAFUID 100.0 Channel | 145100 | 1000 | 127 | 2,80 |



INLET BOX FOR MEAFUID 100

| Description | Order No. 010... | Length (mm) | Constructive height (mm) | kg per piece |
|--------------------------|------------------|-------------|--------------------------|--------------|
| MEAFUID 100.EK Inlet box | 145108 | 500 | 395 | 4,80 |



END CAPS AND CONNECTION ACCESSORIES FOR MEAFLUID 100

| Description | Order No. 010... | Material | kg per piece |
|---|------------------|----------|--------------|
| MEAFLUID 100 End cap with connection facility Ø 75 mm | 141350 | PP | 0,06 |
| MEAFLUID 100 End cap with connection facility Ø 80 mm | 141352 | PP | 0,06 |
| MEAFLUID 100 Vertical drain socket Ø 110 mm | 141400 | PP | 0,30 |

This edition of the technical data sheet shall be valid from January 2019 until a revised version is published, and replaces any previous publications. The respectively current version is available for download at www.mea-group.com.