

MATERIAL CHARACTERISTICS

FIBERGLASS COMPOSITE	glass-fibre-reinforced polyester, mineral fillers, additives
TENSILE STRENGTH	65 N/mm ² (ISO 527)
BENDING STRENGTH	120 N/mm ² (ISO 14125)
ELASTICITY MODULE	10,000 N/mm ² (ISO 14125)
DENSITY	2.0 g/cm ³ (ISO 1172)
COEFFICIENT OF LINEAR EXPANSION	1.5 - 2.0 x 10 ⁻⁵ 1/K
HEAT RESISTANCE	100°C continuous load, up to 240°C with a load duration up to 110 min.
FROST RESISTANCE	-35°C
WATER PENETRATION LEVEL	0 mm
WATER ABSORPTION	<0.1% (ISO R178)
MATERIAL STRUCTURE	Capillary free

PURPOSE OF USE

Component for the line drainage of surfaces in order to collect, transport and discharge rain water from adjacent fixed surfaces.

DESIGNS

- / Length 1000 mm (also in black)
- / Length 500 mm (also in black)
- / Length 500 mm as a change of flow direction (also in black)

EDGE PROTECTION

- / Glass-fibre-reinforced composite

ACCESSORIES

- / Inlet box (also in black)
- / Inlet box with a drain on one side for installation on facades
- / End cap closed (also in black)
- / End cap with drain socket Ø 110mm (also in black)
- / End cap for the lateral connection with connection piece Ø 110 mm
- / Adapter for lateral channel connection (corner, T and cross connections)
- / Vertical drain socket Ø 110mm
- / Odour trap including dirt filter and dirt trap

* As of class D 400, not suitable for diagonal or lateral cross-travel in the area of express roads and motorways

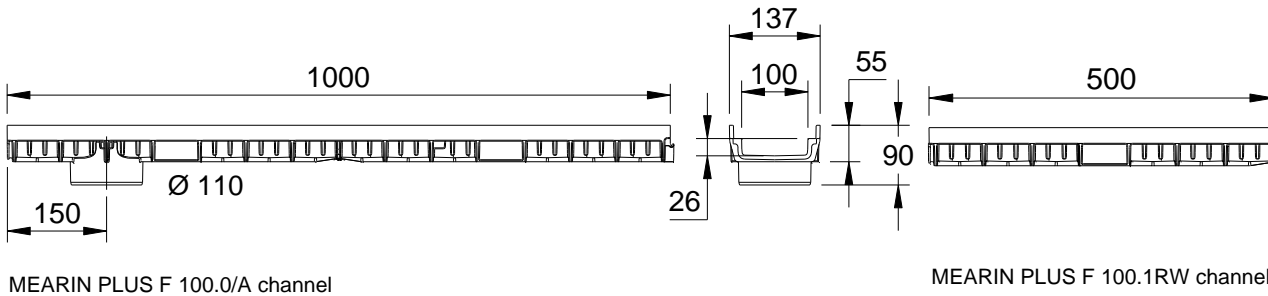
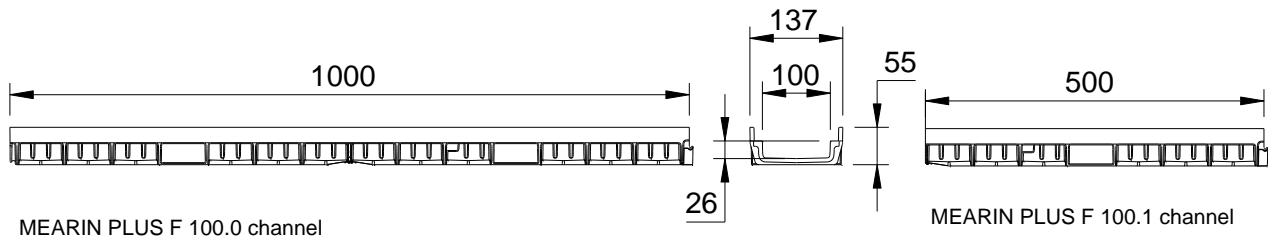
MEARIN PLUS 100 / -PLUS F 100 / -BLACK

A 15, B 125, C 250, D 400*

nominal width 100

MEARIN PLUS F 100 SHALLOW DRAINAGE CHANNEL WITH A GLASS-FIBRE COMPOSITE EDGE AND SEALING JOINT ACCORDING TO EN 1433

Drainage channel made of fiberglass composite material. Clear width 100 mm, constructive width 137 mm. For the realization of water level slopes. Loading class A 15 to D 400* according to EN 1433. Suitable for drainage channel covers MEARIN PLUS/EXPERT 100 with CLIPFIX quick-release fastener. Load capacity according to specification, when installed according to the MEA installation information. Channel drain cross section 25cm²



MEARIN PLUS F 100 SHALLOW DRAINAGE CHANNEL, LOADING CLASS A 15 TO D 400* ACCORDING TO DIN EN 1433

Description	Order No.	Length in mm	Constructive height in mm	kg per piece
MEARIN PLUS F 100.0/55 channel	010140740	1000	55	1,87
MEARIN PLUS F 100.0 A/55 channel with outlet Ø 110 mm ³⁾	010140742	1000	55	1,87
MEARIN PLUS F 100.1/55 channel	010140744	500	55	0,93
MEARIN PLUS F 100.1 RW/55 channel ³⁾	010140746	500	55	0,93

3) possible to use for flow direction change
 8) with sealed premounted

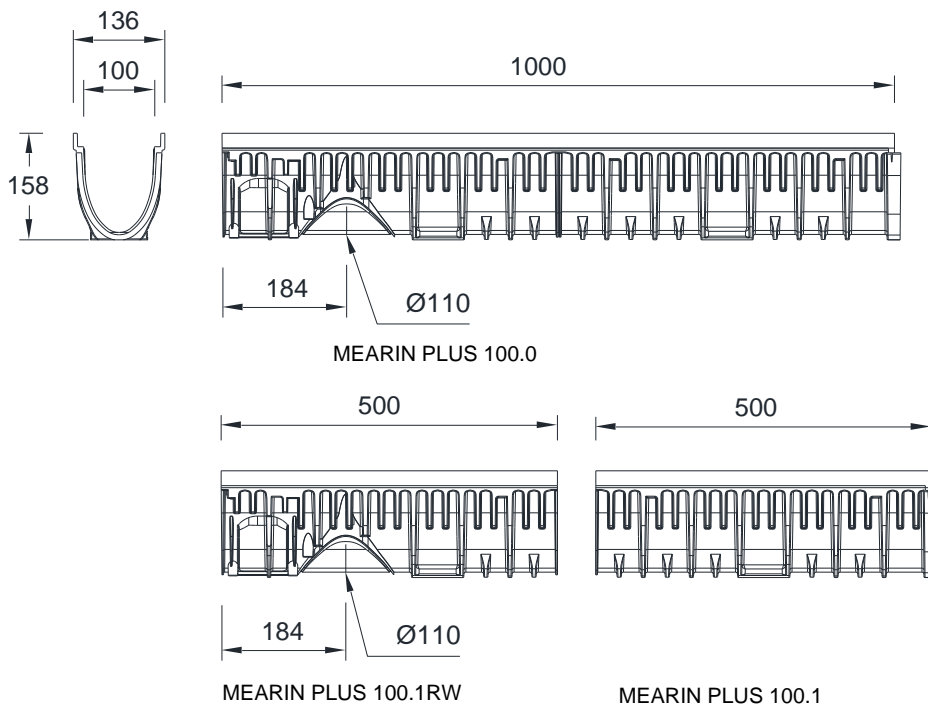
MEARIN PLUS 100 / -PLUS F 100 / -BLACK

A 15, B 125, C 250, D 400*

nominal width 100

MEARIN PLUS 100 / BLACK DRAINAGE CHANNELS WITH A GLASS-FIBRE COMPOSITE EDGE AND SEALING JOINT ACCORDING TO EN 1433

Drainage channel made of fiberglass composite material. Clear width 100 mm, constructive width 136 mm. For the realization of water level slopes. Loading class A 15 to D 400* according to EN 1433. Suitable for drainage channel covers MEARIN PLUS/EXPERT 100 with STARFIX quick-release fastener. Load capacity according to specification, when installed according to the MEA installation information.

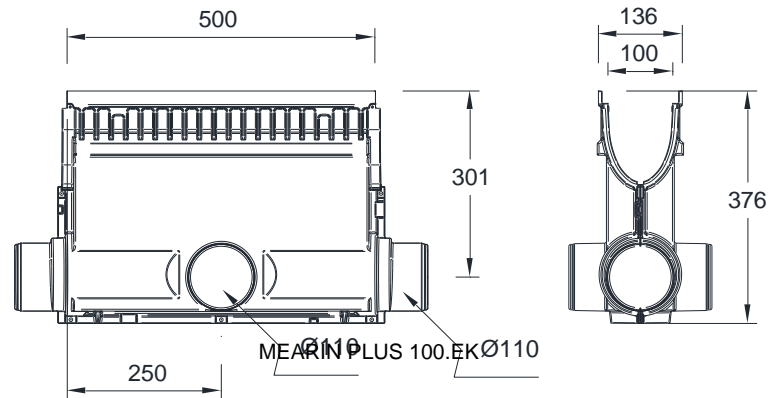


DRAINAGE CHANNEL BODY MEARIN PLUS 100 / BLACK, LOADING CLASSES A 15 TO D 400*

Description	Order No. 010...	Length in mm	Constructive height in mm	kg per piece
MEARIN PLUS 100.0 ^{1) 2)} Channel	140002	1000	158	3,60
MEARIN PLUS 100.1 ²⁾ Channel	140004	500	158	2,00
MEARIN PLUS 100.1RW ^{1) 2) 3)} Channel	140006	500	158	2,00
MEARIN PLUS 100.0 BLACK ^{1) 2)} Channel in black	140564	1000	158	3,60
MEARIN PLUS 100.1 BLACK ²⁾ Channel in black	140566	500	158	2,00
MEARIN PLUS 100.1RW BLACK ^{1) 2) 3)} Channel in black	140568	500	158	2,00

* As of class D 400, not suitable for diagonal or lateral cross-travel in the area of express roads and motorways

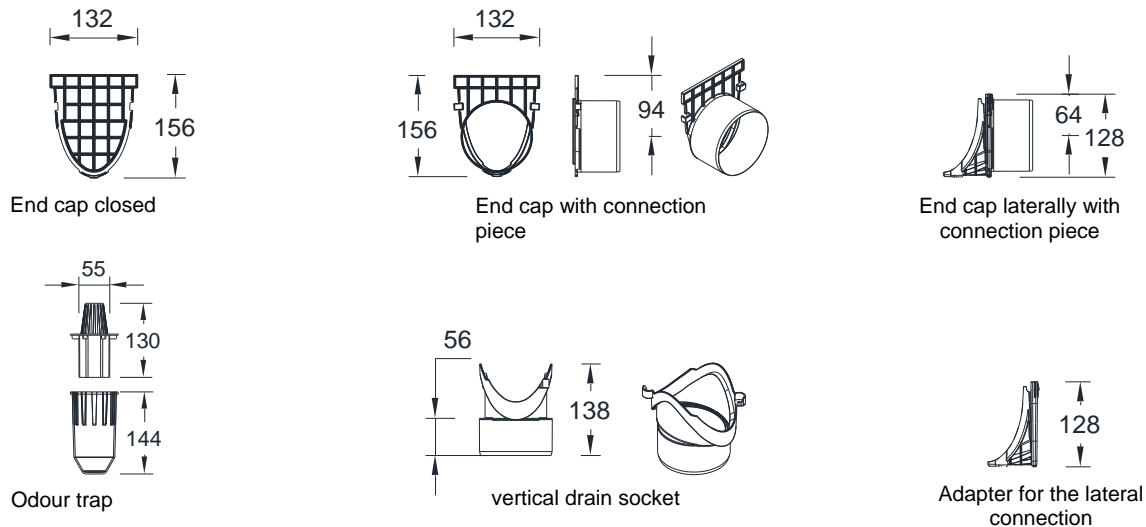
- 1) Connection option for the vertical discharge Ø 110mm; End cap with side connecting piece, Ø 110mm; Channel laterally to corner, t and cross connections
- 2) Connection option for inlet box, connectors Ø 110mm; End cap with connecting piece horizontal, Ø 110 mm
- 3) Utilization option as a flow direction change



INLET BOX FOR MEARIN PLUS 100 / BLACK, WITH SEDIMENT BUCKET

Description	Order No. 010...	Length in mm	Constructive height in mm	kg per piece
MEARIN PLUS 100.EK Inlet box	140008	500	376	4,40
MEARIN PLUS 100.EK Inlet box with a drain on one side for installation on facades	140009	500	376	4,40
MEARIN PLUS 100.EK BLACK Inlet box in black	140570	500	376	7,00

* As of class D 400, not suitable for diagonal or lateral cross-travel in the area of express roads and motorways



END CAPS AND CONNECTION ACCESSORIES FOR MEARIN PLUS 100 / BLACK

Description	Order No. 010....	Material	kg per piece
MEARIN PLUS/EXPERT 100.SE End cap closed for beginning and end of channel	140090	PP	0.04
MEARIN PLUS 100.SE BLACK End cap, closed for beginning and end of channel	140572	PP	0,04
MEARIN PLUS/EXPERT 100.E End cap with connection piece Ø 110mm for channel end	140092	PP	0.06
MEARIN PLUS 100.E BLACK End cap with connection piece Ø 110mm for channel end	140573	PP	0,04
MEARIN PLUS/EXPERT 100 End cap with pipe socket Ø 110mm for the lateral connection to channel	140094	PP	0.08
MEARIN PLUS/EXPERT 100 adapter for the lateral channel connection to corner, t and cross connections	140096	PP	0.04
MEARIN PLUS/EXPERT 100 Vertical outlet connection Ø 110mm	140098	PP	0.08
MEARIN PLUS/EXPERT 100 Odour trap contains dirt filter and dirt trap	140100	PP	0.20
MEARIN PLUS/EXPERT 100 Drainage set contains a vertical drain socket Ø 110mm + Odour trap + 2 End caps closed	140104	PP	0.35

This edition of the technical data sheet shall be valid from December 2017 until a revised version is published, and replaces any previous publications. The respectively current version is available for download at www.mea-group.com.

MEA Bautechnik GmbH
 Business Unit MEA Water Management
 Sudetenstraße 1
 86551 Aichach
 Tel.: +49 (0) 82 51. 91 0
 Fax: +49 (0) 82 51. 91 13 06
 E-Mail: info@mea-group.com
www.mea-group.com