

STAR Drain "MINI" XS

65 x 35 mm



Product line-up

| N° art. | Description | Width mm | Height mm | Length mm | Load Class | Weight kg |
|--|---|----------|-----------|-----------|------------|-----------|
| Channel elements (with grating) | | | | | | |
| 300-2025 | STAR-Drain MINI XS channel 1m, 65x35 mm. with gray aluminum grating | 65 | 35 | 1000 | A15 | 1,400 |
| 301-2025 | STAR-Drain MINI XS channel 1m, 65x35 mm. with black aluminum grating | 65 | 35 | 1000 | A15 | 1,400 |
| 302-2025 | STAR-Drain MINI XS channel 1m, 65x35 mm. with Corten steel grating | 65 | 35 | 1000 | A15 | 2,440 |
| Accessories (incl. gratings) | | | | | | |
| 312-2025 | Star Drain MINI XS - corner unit with gray aluminium grating for 65 x 35 | 65 | 35 | 197 / 197 | A15 | 0,580 |
| 313-2025 | Star Drain MINI XS -T-unit with gray aluminium grating for 65 x 35 | 65 | 35 | 196 / 272 | A15 | 0,725 |
| 314-2025 | Star Drain MINI XS - corner unit with black aluminium grating for 65 x 35 | 65 | 35 | 197 / 197 | A15 | 0,580 |
| 320-2025 | Star Drain MINI XS - T-unit with black aluminium grating for 65 x 35 | 65 | 35 | 196 / 272 | A15 | 0,725 |
| 321-2025 | Star Drain MINI XS - corner unit with Corten steel grating for 65 x 35 | 65 | 35 | 197 / 197 | A15 | 0,900 |
| 322-2025 | Star Drain MINI XS - T-unit with Corten Steel grating for 65 x 35 | 65 | 35 | 196 / 272 | A15 | 1,200 |
| Accessories (excl. gratings) | | | | | | |
| 308-2025 | Star Drain MINI XS, channel connector for 65 x 35 | 65 | 35 | 135 | A15 | 0,105 |
| 309-2025 | Star Drain MINI XS, channel connector with vertical outlet for 65 x 35 | 65 | 35 | 135 | A15 | 0,125 |
| 310-2025 | Star Drain MINI XS, end cap closed for 65 x 35 | 65 | 35 | | A15 | 0,037 |
| 311-2025 | Star Drain MINI XS, end cap with horizontal outlet for 65 x 35 | 65 | 35 | | A15 | 0,045 |

ACCESSORIES



Corner unit aluminium gray



Corner unit aluminium black



Corner unit cortensteel



Closing end cap



T-unit aluminium gray



T-unit aluminium black



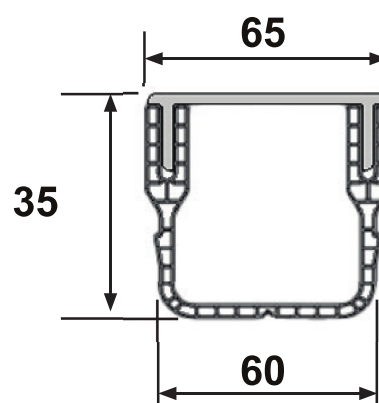
T-unit cortensteel



End cap with Ø 30mm outlet



Channel connector



Maximum flow rate : 180 l/min.

