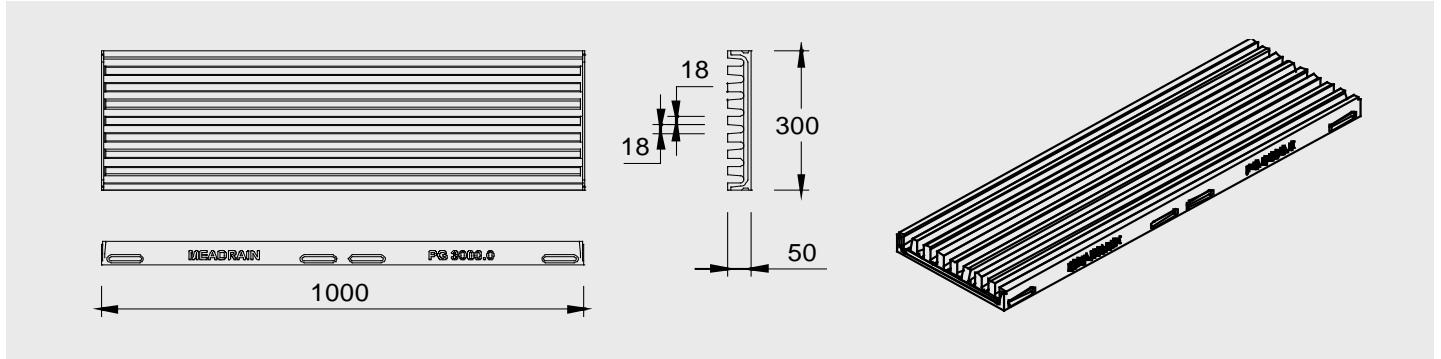


Parking garage channel PG 3000

MEADRAIN Solution PG 3000



Material properties

Monolithic channel construction

- o Polymer concrete: based on polyester resin, with natural minerals
- o Compression resistance: $\geq 90 \text{ N/mm}^2$
- o Flexural tensile strength: $\geq 22 \text{ N/mm}^2$
- o Modules of elasticity: $25000 - 35000 \text{ N/mm}^2$
- o Density: $2,1 - 2,3 \text{ kg/dm}^3$
- o Linear expansion coefficient: approx. $1,45 \times 10^{-5} \text{ 1/K}$
- o Heat resistance: 100°C permanent exposure, short-term exposure (5 min.) to 200°C
- o Frost resistance: -50°C
- o Water penetration level: 0 mm
- o Water absorption: $< 0,05\%$
- o Material structure: capillary free

Parking garage channel PG 3000

Shallow channel of polymer concrete with comb section, pedestrian-, wheelchair-, and bike safe without channel covers, with integrated sealable rebate.

Loading classes as indicated when built-in in accordance to MEA installation instructions.

Channel unit without fall

Completely metal free.

Loading classes A15 - C250 to EN 1433

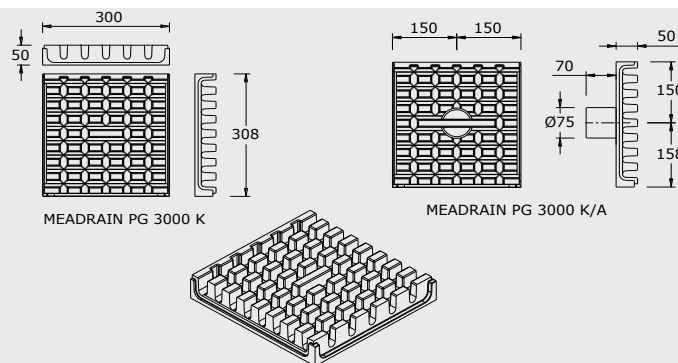
material group	product description	length [mm]	total height [mm]	EDP-No. 010...	EAN-code 4001990...	kg/unit	units/pallet
MD	MEADRAIN PG 3000.0	1000	50	155694	268544	22,80	30

Parking garage channel PG 3000 accessories

MEADRAIN Solution PG 3000 SE



MEADRAIN Solution PG 3000 K



End caps of polymer concrete

material group	product description	material	EDP No. 010...	EAN-code 4001990...	kg/unit	units/pallet
MD	MEADRAIN PG 3000.SE end cap for channel start/end	polymer concrete	155696	268568	0,40	1
MD	MEADRAIN PG for cleaner of inverts ¹⁾	stainl. steel	155596	234068	0,60	1
MD	MEADRAIN PG shovel for cleaning of surfaces ¹⁾	stainl. steel	155594	234075	1,20	1
MD	MEADRAIN PG 3000.K cross/corner element	polymer concrete	155695	268551	5,60	1
MD	MEADRAIN PG 3000.K/A cross/corner element with integrated HD-PE connection Ø 75mm	polymer concrete	155697	272046	5,60	1

1) not suitable for MEADRAIN PG 1000

MEA Water Management GmbH
 Sudetenstraße 1
 86551 Aichach
 Tel.: +49 (0) 82 51. 91 0
 Fax: +49 (0) 82 51. 91 13 00
 E-Mail: info.drainage@mea.de
 www.mea-group.com