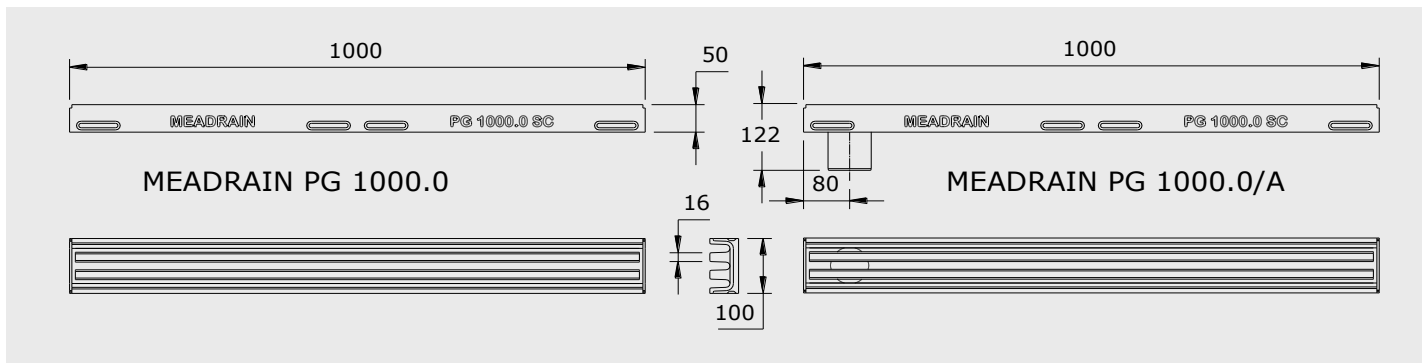


Parking garage channel PG 1000

MEADRAIN Solution PG 1000



Material properties

Channel unit and construction unit

- o Polymer concrete: based on polyester resin, with natural minerals
- o Compression resistance: $\geq 90 \text{ N/mm}^2$
- o Flexural tensile strength: $\geq 22 \text{ N/mm}^2$
- o Modules of elasticity: $25000 - 35000 \text{ N/mm}^2$
- o Density: $2,1 - 2,3 \text{ kg/dm}^3$
- o Linear expansion coefficient: approx. $1,45 \times 10^{-5} \text{ 1/K}$
- o Heat resistance: 100°C permanent exposure, short-term exposure (5 min.) to 200°C
- o Frost resistance: -50°C
- o Water penetration level: 0 mm
- o Water absorption: $< 0,05\%$
- o Material structure: capillary free

Technical datasheet Drainage Systems

MEADRAIN Solution

CW 100

A15 B125 C250

Parking garage channel PG 1000

Shallow channel of polymer concrete with comb section, pedestrian-, wheelchair-, and bike safe without channel covers, with integrated sealable rebate. Loading class A15 - C250 to EN 1433.

Loading classes as indicated, when built-in in accordance to the MEA installation instructions.

Channel unit without fall

Completely metal free.

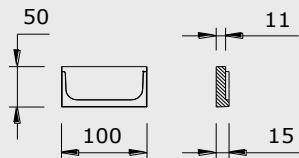
Loading classes A15 - C250 to EN 1433

material group	product description	length [mm]	total height [mm]	EDP-No. 010...	EAN-code 4001990...	kg/unit	units/pallet
MD	MEADRAIN PG 1000.0	1000	50	155602	270936	7,10	80
MD	MEADRAIN PG 1000.0/A ¹⁾	1000	50	155604	270943	7,00	1

1) Channel unit with integrated HD-PE outlet connector Ø 75mm

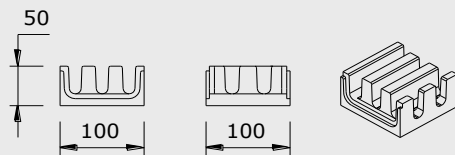
Parking garage channel PG 1000 accessories

MEADRAIN Solution PG 1000 SE



PG 1000.SE

MEADRAIN Solution PG 1000 K



PG 1000.K

End cap of polymer concrete

material group	product description	material	EDP-No. 010...	EAN-code 4001990...	kg/unit	units/pallet
MD	MEADRAIN PG 1000.SE end cap for channel start/end	polymer concrete	155606	270950	0,15	1
MD	MEADRAIN PG 1000.K cross / corner element	polymer concrete	155608	280997	0,65	1

MEA Water Management GmbH
 Sudetenstraße 1
 86551 Aichach
 Tel.: +49 (0) 82 51. 91 0
 Fax: +49 (0) 82 51. 91 13 00
 E-Mail: info.drainage@mea.de
 www.mea-group.com