

**MEAKERB POLYMER CONCRETE DRAINAGE CHANNEL
MONOLITHIC CHANNEL UNIT AND KERB SECTION**

DRAINAGE CHANNEL AND COMPONENTS	
POLYMER CONCRETE	on a Polyester resin basis, with mineral fillers, additives
COMPRESSION RESISTANCE	$\geq 90 \text{ N/mm}^2$
FLEXURAL TENSILE STRENGTH	$\geq 22 \text{ N/mm}^2$
MODULES OF ELASTICITY	25.000 – 35.000 N/mm ²
DENSITY	2,1 – 2,3 kg/dm ³
LINEAR EXPANSION COEFFICIENT	approx. $1,45 \times 10^{-5} \text{ 1/K}$
HEAT RESISTANCE	100°C permanent exposure, short-term exposure (5 min.) to 200°C
FROST RESISTANCE	- 50°C
WATER PENETRATION LEVEL	0 mm
WATER ABSORPTION	< 0,05%
MATERIAL STRUCTURE	capillary free

PURPOSE OF USE

Component for the line drainage of surfaces in order to collect, transport and discharge rain water from adjacent fixed surfaces.

** Not suitable for the diagonal or transverse travel of motorways and highways.

MEAKERB 320 & 500

A 15, B 125, C 250, D 400**

CW 100

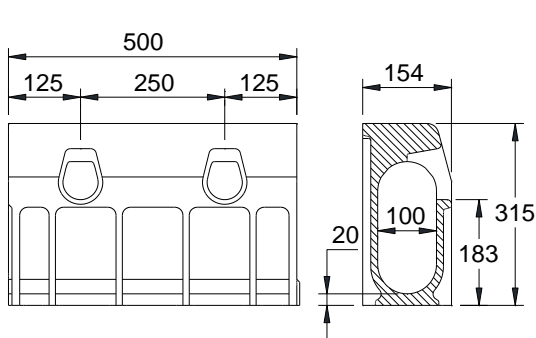


BUILDING SUCCESS

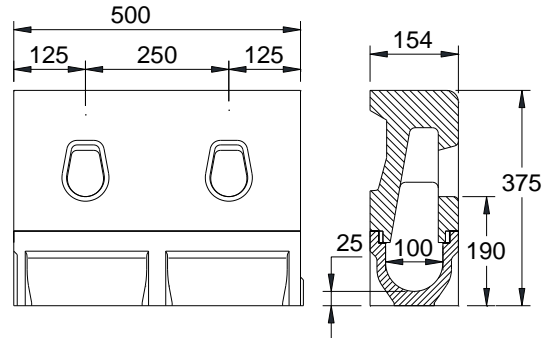
MEAKERB POLYMER CONCRETE DRAINAGE CHANNEL

ONE-PIECE KERBSTONE CHANNEL COMBINATION

Clear width of the channel body 100 mm, total width 154 mm. Loading class D 400** following to EN 1433.



010152196



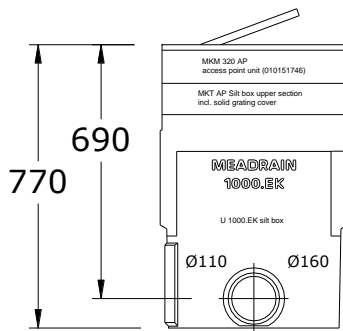
010152197

MEAKERB 320-System

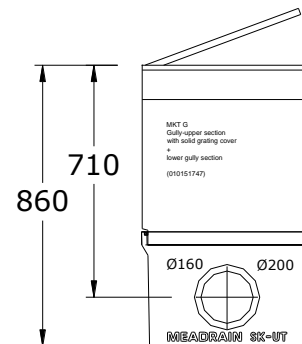
Designation	Ord. No.	Length in mm	Height in mm	Kg/unit
MEAKERB 320 Kerbstone Standard monolithic	010152196	500	320	20.56
MEAKERB 320 CS Lower shelf without inlet opening for the entrance area	010152197	500	235	38
MEAKERB 320 AP channel element with inspection opening	010152130	500	320	27
MEAKERB 320 CF centre element for threshold-free installation in the entrance area	010152143	500	195	38
MEAKERB 320 CFL lowering element "left" as connection between centre elements free of low side and threshold	010152145	500	235-195	44
MEAKERB 320 CFR lowering element "right" as a connection between centre elements free of low side and threshold	010152147	500	195-235	44
MEAKERB 320 CP low side panel with inlet opening for the entrance area	010152149	500	235	24
MEAKERB 320 BS High kerbstone for level boarding the bus	010152066	500	375	34.5
MEAKERB 320 BL/H Ramp element "left up" as connection between the ramp Standard and bus boards	010152068	500	347,5-375	34.8
MEAKERB 320 BL/L Ramp element "left down" as connection between the ramp Standard and bus boards	010152070	500	320-347,5	30.3
MEAKERB 320 BR/H Ramp element "right up" as connection between the ramp Standard and bus boards	010152072	500	375-347,5	34.8
MEAKERB 320 BR/L Ramp element "right down" as connection between the ramp Standard and bus boards	010152074	500	347,5-320	30.8
MEAKERB 320 DL/H Lowering element „ left high“ connects standard and lower shelf	010152059	500	320-277	44
MEAKERB 320 DL/L Lowering element „ left down“ connects standard and lower shelf	010152061	500	277-235	44
MEAKERB 320 DR/H lowering element "right up" connects standard and lower shelf	010152063	500	277-320	44
MEAKERB 320 DR/L lowering element "right down" connects standard and lower shelf	010152065	500	235-277	44
MEAKERB Expansion joint disc large	010151799	-	-	0.32

** Not suitable for the diagonal or transverse travel of motorways and highways.

ACCESSORIES FOR ONE-PIECE KERBSTONE CHANNEL COMBINATION



010151746



010151747+010154726+010154714
010151747+010154728+010154714

MEAKERB Gullies

Designation	Ord. No.	Length in mm	Height in mm	Kg/unit
MEAKERB MKT G Gully upper part incl. closed cover	010151747	520	550	53.5
MEA SK-ZT gully intermediate part made of polymer concrete for a height extension	010154709	524	375	22
MEA SK-UT short Gully lower part, with integrated drain socket Ø 160 mm	010154726	524	335	24
MEA SK-UT short Gully lower part, with integrated drain socket Ø 200 mm	010154728	524	335	27
MEAKERB MKT AP Gully upper part with closed ductile iron cover	010151746	-	-	19.5
MEAKERB 1000.EK UT gully lower part with sediment bucket	010151085	500	580	28
MEA Gully plastic Sediment bucket, short. For gully with gully upper and lower part.	010154714	-	-	1.9
MEA Gully plastic Sediment bucket, long. For gully with gully upper, intermediate and lower part.	010154718	-	-	8

MEAKERB 320 End caps

Designation	Ord. No.	Material	Kg/unit
MEAKERB 320.SE End cap for channel start/end	010152022	Polymer concrete	0.65
MEAKERB 320.R End cap right with connector PVC Ø 110 mm	010152023	Polymer concrete	3.7
MEAKERB 320.L End cap left side with connector PVC Ø 110 mm	010152024	Polymer concrete	3.7

** Not suitable for the diagonal or transverse travel of motorways and highways.

MEAKERB 320 & 500

A 15, B 125, C 250, D 400**

CW 100



BUILDING SUCCESS

MEAKERB 500 POLYMER CONCRETE DRAINAGE CHANNEL ONE-PIECE KERBSTONE CHANNEL COMBINATION

MEAKERB 500-System

Designation	Ord. No.	Length mm	Height in mm	Kg/unit
MEAKERB MKM-L 500 Kerbstone Standard monolithic	010152176	500	500	28,1

** Not suitable for the diagonal or transverse travel of motorways and highways.

This edition of the technical data sheet is valid from March 2020 until the publication of a revised version and replaces earlier publications. The current version is available for download at www.mea-group.com.